

MINI FRIDGE

Instruction Manual



SKU: ZX-PF-4D/ZX-PF-4F/ZX-PF-4B

Congratulations

Dear Customer:

Thank you for purchasing one of our products.

Our goal is to provide you with superior service. If there is anything missing from or wrong with your order, or if you have any questions about using our **mini fridge** , PLEASE contact us.

Email: support@homyd.com

The team is available 24/7 to address your questions, comments, and concerns. Your satisfaction is our ultimate goal. We want to make everything right so you'll share your positive experience with other shoppers on Amazon.

If you experience any problems, please send an email to support@homyd.com

Our mission:

- * To be the most trusted appliance brand.
- * To create practical, compact appliances that better your life.

CONTENTS

IMPORTANT SAFEGUARDS	01
SAVE THESE INSTRUCTIONS HOUSEHOLD USE ONLY	02
NOTES ON THE CORD PLUG	02
PRODUCT DESCRIPTION	02
PRODUCT PARAMETERS	02
ILLUSTRATION FOR POWER SUPPLY	03
OPERATION INSTRUCTION	03-05
TIPS FOR OPERATION	05-06
SCOPE OF APPLICATION	06
TROUBLESHOOTING	06
CLEANING AND MAINTENANCE	06
SERVICE	07
GUARANTEE	07

I IMPORTANT SAFEGARDS

1. When using the product, please note that the voltage used is absolutely correct (the applicable voltage of this product is clearly marked on the product nameplate).
2. To ensure optimal performance, keep the Mini cooler's fans clear of dirt and debris. Stuck fans will overheat the unit and can pose a potential fire hazard.
3. Do not place any cloth or paper products on the unit.
4. When plugging in the unit, ensure that the power cord is inserted tightly into the socket. A loose socket can cause damage or fire.
5. When using the unit in a car/vehicle with the DC power cord, the vehicle's engine must be turned on first. When the engine is running, the unit can then be plugged into the vehicle's adapter. This prevents a power surge and potential property damage, injury, and/or fire.
6. The vehicle-used function can be only activated when the vehicle is running. Be sure to turn off its power and unplug the vehicle-used power cord after the vehicle stops running.
7. Keep the unit away from flammable items and running water to prevent damage, injury, and/or fire.
8. DO NOT attempt to open, break, or refit the appliance.
9. DO NOT submerge or rinse under running water.
10. When packing the unit, do not place upside-down.
11. Avoid dropping or banging the unit.
12. DO NOT leave the appliance in the rain.
13. Adult use and supervision only. This is not a toy. Children should not play with this Mini cooler. For people with reduced physical, sensory, and/or mental capabilities, use precaution and follow all instructions when operating this unit to ensure safety.
14. Always keep ventilation openings clear of obstruction.
15. DO NOT use other electrical appliances inside the food storage compartments of the appliance.
16. If the power cords supplied with the Mini cooler are damaged in any way—DO NOT attempt to repair them; damaged power cords must be replaced by the manufacturer.
17. When the power cord is damaged, do not touch the AC power cord with your hands to avoid danger.
18. The product should not be used for transporting or loading the acid-corrosive items, and the product should not be wiped with corrosive solvents.
19. Use this product in strict accordance with the instructions, please do not disassemble the internal parts without permission.
20. The product should be stored in a place which is tidy and of good draft, and a ventilation channel with a width of 10cm should be kept around it. And do not put the product at the rainy places or the places with heat sources, such as electric stoves, LPG stoves, heat pipes or flames.
21. The Mini Cooler should be cleaned regularly if there is residual water inside it.
22. The Mini Cooler is not allowed to be used for freezing fresh meat. It is better to put frozen foods and drinks into it for storage.
23. Please do not open the door frequently and the door cannot be opened for too long in order to keep contents inside it be fresh.
24. Do not store explosive substances such as aerosol cans with a flammable propellant in this appliance.
25. DANGER: Risk of child entrapment. Before you throw away your old refrigerator or freezer:
 - * Take off the doors.
 - * Leave the shelves in place so that children may not easily climb inside.

SAVE THESE INSTRUCTIONS HOUSEHOLD USE ONLY

NOTES ON THE CORD PLUG

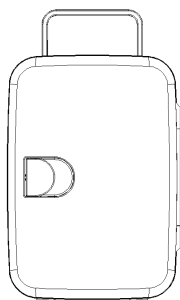
This appliance has a polarized plug (one blade is wider than the other). To reduce the risk of electric shock, this plug will fit in a polarized outlet only one way. If the plug does not fit fully into the outlet, reverse the plug. If it still does not fit, contact a qualified electrician. Do not modify the plug in any way.

PRODUCT DESCRIPTION

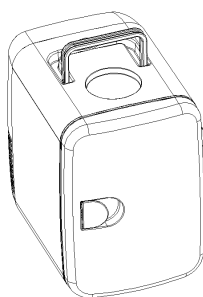
1. This Mini cooler is a great way to keep food and drinks cool. It is of simple and cute appearance, compact, easy to carry, as well as of long service life and low power consumption. It is a good helper for home and travel use.
2. This product is fully embodied a concept of "Green and Environmentally-friendly". And this product uses semiconductor refrigeration technology, it has no bulky compressor and no refrigerant to avoid noise and fluorine pollution. It is an environmentally-friendly refrigeration product without pollution.
3. This product is particularly suitable for drivers, tourists, migrant workers, singles, mother, office workers and students due to its functions, light weight, small size and easy-to-carry.
4. This product has simple structure and long service life, and it is convenient to maintain, and it is of low power consumption and strong shock-resistant capability.

PRODUCT PARAMETERS

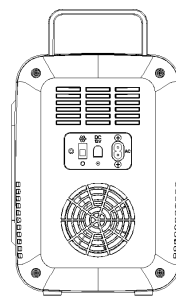
Product name: Mini Cooler	SKU: ZX-PF-4D/ZX-PF-4F/ZX-PF-4B
Rated voltage: 120V~/12V	Rated power: 36W
Working principle: Semiconductor refrigeration technology	Cooling temperature: $\geq 59^{\circ}\text{F}$ lower than the current ambient temperature
	Heating temperature: Heat up to $140^{\circ}\text{F} \pm 50^{\circ}\text{F}$



1. Front view

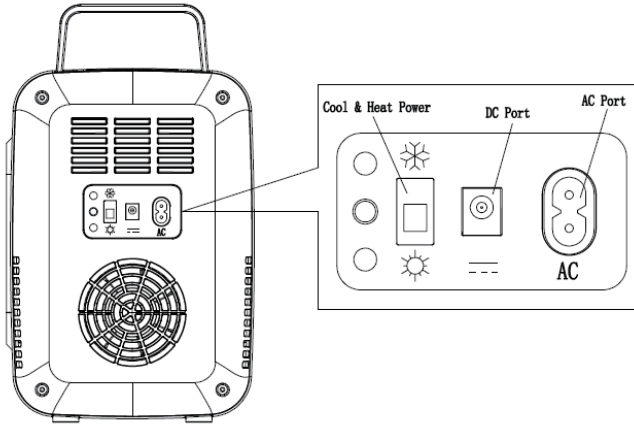


2. Side view



3. Back view

ILLUSTRATION FOR POWER SUPPLY



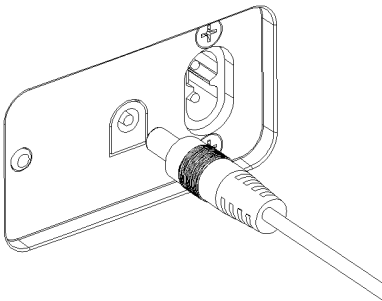
OPERATION INSTRUCTION

Before plugging in the Mini cooler, make sure the Power switch of the unit is set to the of "○" setting.

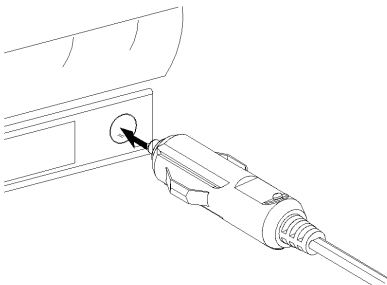
1. Vehicle use (DC 12V)

CAUTION: Car/vehicle engine must be turned on first before plugging in the cooler. This precaution prevents a power surge that can lead to the unit overheating and/or becoming a potential fire risk.

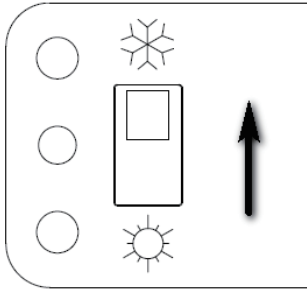
- (1) Insert the DC connector of DC power cord into the unit's DC port.



- (2) Insert the DC plug into the appropriate cigarette-lighter outlet.

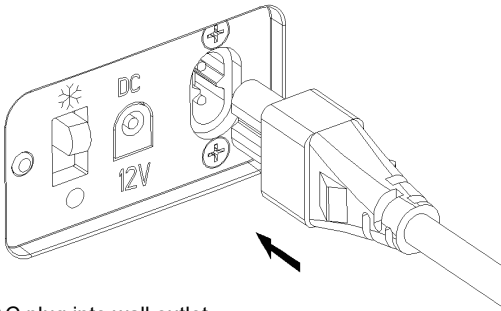


(3) Turn the Power switch to the "Cool" setting, the green indicator turns on.

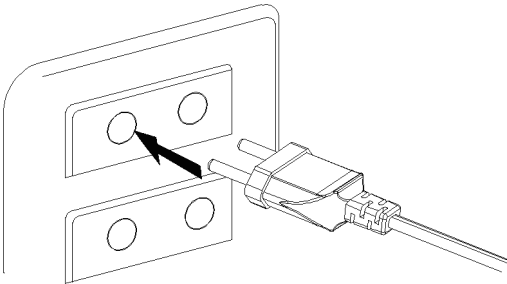


2. Home use (AC 120V)

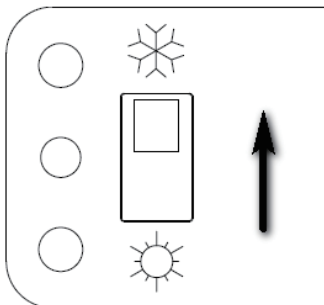
(1) Insert the AC connector of AC power cord into the unit's AC port.



(2) Insert the AC plug into wall outlet.

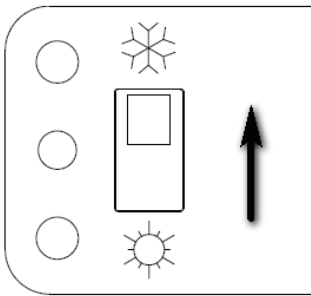


(3) Turn the Power switch to the "Cool" setting, the green indicator turns on.

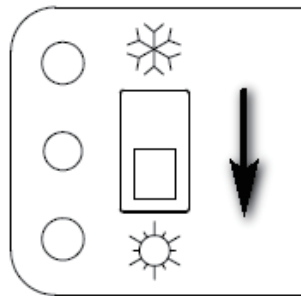


3. Operation for “Cool” and “Heat”

- (1) When cooling, turn the “Cool and Heat Switch” to “Cool” setting, the green indicator lights up and the Mini Refrigerator starts to cool.
- (2) When heating, turn the “Cool and Heat Switch” to “Heat” setting, the red indicator lights up and the Mini Refrigerator starts to heat.
- (3) When need to turn off the Mini Refrigerator, turn the “Cool and Heat Switch” to the middle “OFF” position, and the Mini Refrigerator stops working.
- (4) When make switch between “Cool” and “Heat” settings, be sure to turn the switch to “OFF” setting firstly and then switch to another setting after 15 minutes. Do not directly make switch between “Cool” and “Heat” setting as the cooling system of the Mini Refrigerator may be damaged due to the drastic change of temperature.



Cool: Green indicator lights up



Heat: Red indicator lights up

NOTE: When need to turn off the Mini Cooler, turn the “Power switch” to the position of “○”, and the Mini Cooler stops working.

TIPS FOR OPERATION

1. The closer to the cooling position, the better the cooling effect.
2. Metal cans can be selected for cooling drinks for better results.
3. The fruits such as watermelon can be cut into two halves and be sealed by the plastic wrap, and then make its flat surface be attached to the inner wall of the Mini Cooler.
4. For make the meal be fresh, firstly put the meal into a flat stainless steel plate, and then seal the plate with the plastic wrap, finally, make the bottom surface of plate be attached to the inner wall of the Mini Cooler .
5. Cosmetics and medicines should be spread on the inner wall of the Mini Cooler flatly. The closer to the cooling module, the better the cooling result.
6. Pre-chilled food and drinks are recommended to put into this unit. If drinks are at room temperature it will take 2-3 hours to chill them.

I SCOPE OF APPLICATION

1.Application places: Car, home, yacht, office, dormitory and cosmetics store etc.

2.The objects which are suitable for cooling: Fruits, bottled/canned beverages, tea, medicines, breast milk and cosmetics etc.

3.The objects which are not suitable for cooling: Frozen foods such as ice cream and others , chemical reagents, and meat etc.

I TROUBLESHOOTING

1. If the Mini Cooler is not energized, please follow the steps below to operate:

(1) Check and make sure the power cord is properly connected to the power outlet.

(2) Check and make sure the Mini Cooler is turned on.

(3) Check and make sure the cigarette lighter is properly connected and turned on, and please clean the base of the cigarette lighter with a non-metallic brush if it is contaminated.

2. If the cooling effect is not good, please contact customer support.

I CLEANING AND MAINTENANCE

1.Before perform cleaning and maintenance, the “Power switch” must be firstly turned off and then unplug to disconnect the power source.

2.Wipe the dirt and dust on the surface of the body with a piece of soft cloth dipped with detergent. And you can use a piece of soft cloth dipped with warm water to clean the inside of the appliance.

3.The body must not be rinsed with water, especially the parts of the body such as the ventilation openings of the switch socket, otherwise it will cause damage to the product and a risk of electric shock.

4.When the unit is off and at room temperature, take a soft cloth and gently wipe down the inside of your unit to remove any moisture that may accumulate. This is recommended once or twice a week.

I SERVICE

Please call our customer service hotline if you encounter problems during use.

1. Welcome to use the vehicle-used series products. Please read this manual carefully before using it, pay special attention to "**IMPORTANT SAFEGARDS**", and save this manual for future reference.
2. If this product is given to others, please give it together with this instruction manual.
3. The upgrade and specification of this product are subject to change without notice. The form and color of the actual product may be slightly different from those shown on the manual, please understand!

I GUARANTEE

The customers can contact the after-sales, explain the reason for the return and reach an "**Agreement on Returning Goods**". Customers who purchase the product will enjoy the comprehensive service in accordance with the relevant national regulation "**Provisions on the Liability for the Repair, Replacement and Return of Some Commodities**".