

15" Built-In Refrigerator

Instruction Manual



SKU: ZX-RU-03

Congratulations

Dear Customer:

Welcome to the our family. Thank you for purchasing one of our products.

Our goal is to provide you with superior service. If there is anything missing from or wrong with your order, or if you have any questions about using our product, PLEASE contact us.

Email: support@homyd.com

Our team is available 24/7 to address your questions, comments, and concerns. Your satisfaction is our ultimate goal. We want to make everything right so you'll share your positive experience with other shoppers on Amazon.

If you experience any problems, please send an email to support@homyd.com

Our mission:

- * To be the most trusted appliance brand.
- * To create practical, compact appliances that better your life.

TABLE OF CONTENTS

BEFORE USE	02
ENERGY-SAVING TIPS	02
IMPORTANT SAFETY INSTRUCTIONS	02
SAFETY WARNINGS FOR REFRIGERANT	04
PARTS	05
SPECIFICATIONS	05
OPERATING INSTRUCTIONS	06
APPLICATION OF LOCKS	07
CLEANING	07
INSTALLATION	07
CARE AND MAINTENANCE	09
HANDLE INSTALLATION GUIDE	10
TROUBLE SHOOTING GUIDE	11
WARRANTY	12

BEFORE USE

- Before connecting the appliance to a power supply, let the unit stand upright for 4 hours. This will reduce the possibility of the cooling system malfunctioning due to improper handling and moving during transportation or installation.
- Clean your unit thoroughly before use (see "How to Clean").
- Use the parts diagram on page 4 to ensure proper positioning of internal components.

ENERGY-SAVING TIPS

- Keep the refrigerator door closed as much as possible, particularly in warm and/or humid conditions.
- Maintain adequate ventilation around the back and sides of the unit. This unit can either be built in or stand alone. In the case of a built-in installation, do not let the back of the unit sit tightly against the wall.
- Allow warm food to cool to room temperature before placing it in the refrigerator.
- Do not obstruct the front vents.

IMPORTANT SAFETY INSTRUCTIONS

When using any electrical appliance, basic safety precautions must be followed in order to reduce the risk of fire, electrical shock, and/or injury to persons or property. Before you use your refrigerator, please read the owner's manual carefully and observe the following safety tips.

Use this appliance only for its intended purpose as described in this owner's manual.

DANGER: Risk of child entrapment. Before you throw away your old refrigerator:

- Take off the doors.
- Leave the shelves in place so that children may not easily climb inside.

The appliance must be correctly installed and connected to a power supply in accordance with the installation instructions before it is used (see "HOW TO INSTALL").

WARNING: Keep all ventilation openings clear.

WARNING: Do not damage the refrigerant circuit.

WARNING: Do not use electrical appliances inside the food-storage compartment of the appliance, unless they are of the type recommended by the manufacturer.

- This appliance is intended to be used in household and similar applications such as:
 - staff kitchen areas in shops, offices, and other environments;
 - farmhouses;
 - hotels, motels, and other residential-type environments;
 - bed-and-breakfast type environments;
 - catering and similar non-retail applications.

- Do not store explosive substances, such as aerosol cans with a flammable propellant, in this appliance.

- The main power supply must be properly grounded. Never remove the ground prong from the plug and never use a two-prong adapter.

Do not run the cord over carpeting or other heat insulators. Do not cover the cord. Keep the cord away from traffic areas and do not submerge it in water.

WARNING: If the supply cord is damaged, it must be replaced by the manufacturer, its service agent, or a similarly qualified person in order to prevent a hazard. Repair or replace immediately all electrical cords that have become frayed or otherwise damaged. Do not use a cord that shows cracks or abrasion damage along its length, on the plug, or at the connector end.

This refrigerator must be positioned so that the plug is accessible.

- Never unplug the unit by pulling on the power cord. Always grasp the plug firmly and pull it straight out from the outlet.

- Using an extension cord as this can negatively affect the performance of the unit. If you must use an extension cord, use 18 AWG minimum size and rated no less than 1875 watts.

- When transporting the refrigerator, keep the unit in the upright position. Do not tilt the appliance beyond 45°, tip it over, or turn it upside down.

- Do not touch cold surfaces while the appliance operates, especially not with wet hands, because skin may stick to such surfaces.

- It is recommended that you position the refrigerator away from combustible sources such as gas, oil, alcohol, paint, etc. The aforementioned substances should not be stored in the refrigerator under any circumstances.

- If the unit fails to cool properly, dispose of spoiled food as needed.

- Unplug your unit before cleaning or repairing it.

NOTE: If for any reason this product requires service, we strongly recommend that a certified technician perform the service. Repairs made by non-qualified personnel will void the warranty.

- Do not defrost the appliance with other electric devices (e.g., hair dryers). Never scrape the ice or frost layer with sharp tools. Warning: Do not damage the refrigerant circuit.

- The rating plate is inside the appliance or outside on the rear or side wall.

·This appliance is not intended for use by persons (including children) with reduced physical, sensory, or mental capabilities, or lack of experience and knowledge, unless they have been given supervision or instruction concerning use of the appliance by a person responsible for their safety. Children should be supervised to ensure that they do not play with the appliance.

It is the consumer's responsibility to follow federal, state, and local regulations regarding disposal of the appliance, which contains flammable refrigerant and gas. Federal law dictates that refrigerants must be removed from appliances before the appliances are disposed of.

·Do not operate your refrigerator in the presence of explosive fumes.

·WARNING: Do not use light flames or fires near the unit.



Safety warnings for refrigerant

·DANGER: Risk of Fire or Explosion. FLAMMABLE REFRIGERANT Used. Do Not Use Mechanical Device to Defrost Refrigerator. Do Not Puncture Refrigerant Tubing.

·DANGER: Risk of Fire or Explosion. FLAMMABLE REFRIGERANT Used.

To Be Repaired Only by Trained Service Personnel.

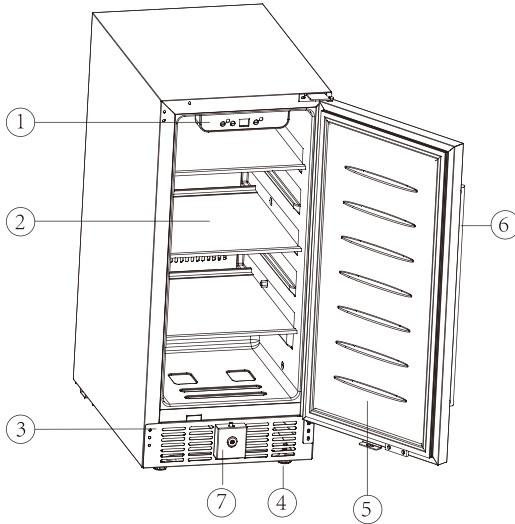
Do Not Puncture Refrigerant Tubing.

·CAUTION: Risk of Fire or Explosion, FLAMMABLE REFRIGERANT Used. Consult Repair Manual/Owner's Guide Before Attempting to Service This Product. All Safety Precautions Must be Followed.

·CAUTION: Risk of Fire or Explosion. Dispose of Properly in Accordance With Federal or Local Regulations. Flammable Refrigerant Used.

·CAUTION: Risk of Fire or Explosion Due to Puncture of Refrigerant Tubing. Follow Handling Instructions Carefully. FLAMMABLE REFRIGERANT Used.

PARTS



- (1) Control Pane
- (2) Removable Food Shelf
- (3) Hot Air Vents
- (4) Adjustable feet
- (5) Door
- (6) Door Handle (Assembly required)
- (7) Lock

SPECIFICATIONS

Product Description	Built-In Refrigerator		
Model	ZX-RU-03		
Electrical Rating	115V~/60Hz/0.9 A		
Refrigerant	R600a, 0.67 oz. (19 g)		
Unit Dimensions With Feet (Inches)	Width	Depth(With handle)	Height
	15.0 in. (380 mm)	22.5 in. (572 mm)	33.9 in. (860 mm)
Net Weight (Lbs)	57.8lbs		

OPERATING INSTRUCTIONS

Starting Your New Refrigerator

Important: If the unit is brought in from outside in cold weather, give the unit a few hours to warm up to room temperature before plugging it in.

Additionally, after transportation and moving the unit, please wait for at least 4 hours before plugging in the unit.


1. Remove the packaging material.
2. Clean the unit thoroughly. Wipe the outside with a soft, dry cloth and the interior with a clean, moist cloth.
3. Connect the power cord to a standard wall outlet. Once the unit is powered, you will hear a beep. The display on the control panel will revert to the current internal temperature.
4. Do not put food into the unit within the first 2 hours after powering on.

Control Panel

There are 3 buttons and a temperature display on the control panel. These let you operate the unit and set your desired running temperature.



Temperature adjustment

Press and hold  for 4 seconds to display the frost probe temperature.

Press and hold  for 4 seconds to switch the Fahrenheit/Celsius display.

Press  or  to adjust the temperature to your desired value.

Each press of the + or – button will change the temperature 1° F.



Temperature setting range: 32°–50° F. The default setting is 39° F.

Interior Light Control

The unit has a built-in LED light in the cooling compartment. When you open the door, the LED light will turn on. Closing the door will turn off the LED light.

The internal LED light is controlled by the magnetic door. Normally, when you open the door, the LED light will be on. Once the door is closed, the LED light will turn off instantly.

Additionally the LED light is controlled by this button "

If you press the  button for more than 3 seconds, it will cut power to the LED light, and opening or closing the door will not activate the LED light. If you press the  button for more than 3 seconds, you will cancel this lock, and the LED light will reset to turn on or off with the door opening and closing.

Note: Wait 3 to 5 minutes before restarting the refrigerator after unplugging it. The unit may fail to operate properly if restarted too quickly.

APPLICATION OF LOCKS

1. Children often open the door of the beverage cooler, which may affect the beverage's flavour. To avoid this situation, a hidden door lock with a key is recommended. It will also prevent accidents caused by children's mischief.
2. If you put the refrigerator outdoors, it is advisable to use a lock to prevent drinks from being taken out without permission.
3. This lock, at a certain level, can control the habit of gluttony that leads to obesity. When you have to take a drink, the lock gives a warning about the effective security protection. This warning will prevent you from overdosing and causing harm to your body, which can result in obesity.

CLEANING

Cleaners: Never use harsh cleaners, heavy-duty cleaners, or solvents on any surface.

Exterior: Wipe with a damp, sudsy cloth; rinse and dry. For stubborn stains and for periodic waxing, use silicone wax.

Refrigeration Compartment: Wash shelves and other removable parts in warm, sudsy water; rinse and dry. Wash interior with baking soda solution (3 T. to 1 qt. of water) or warm, sudsy water; rinse and dry.

Magnetic Door Seals: Wash with warm, sudsy water.

The Finishing Touch: Replace all parts and return the thermostat dial to your desired setting.

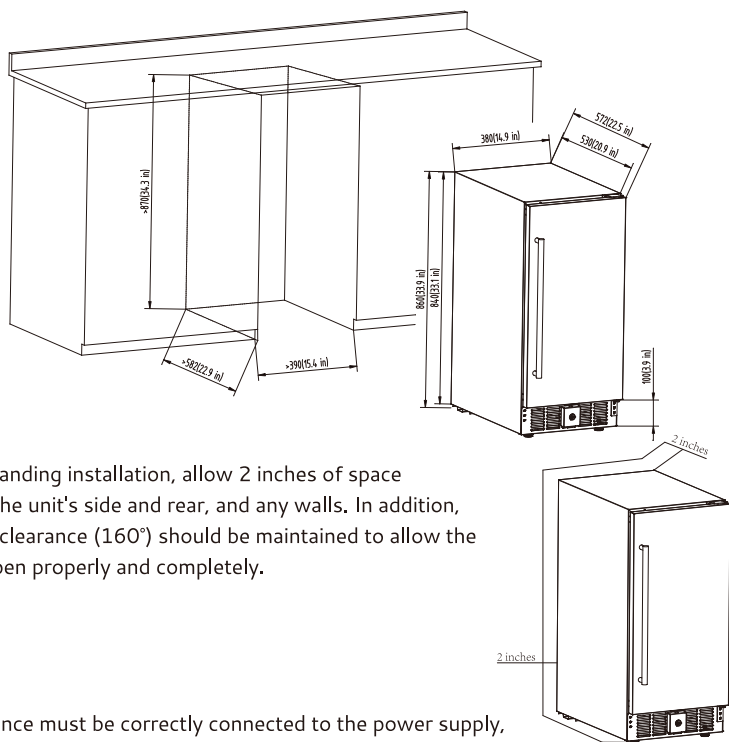
INSTALLATION

This appliance can either stand alone or be built in/recessed. Either way, the front vents must not be obstructed.

• Install the unit in a convenient location away from extreme heat and cold. This unit should be kept far away from heat sources, such as stoves, heater, and radiators, and out of direct sunlight. Allow sufficient clearance between the unit and any side walls so the door will open freely.

• Place the unit on a level surface that will be strong enough to support the unit when it is fully loaded. Not recommended for carpeting or other soft / uneven surfaces. To level your fridge, adjust the front feet located at the bottom of the unit.

• For under-counter installation, please refer to the following diagram, and leave enough space for the unit.



- For freestanding installation, allow 2 inches of space between the unit's side and rear, and any walls. In addition, sufficient clearance (160°) should be maintained to allow the door to open properly and completely.

- The appliance must be correctly connected to the power supply, 115V/60Hz, and grounded.

The refrigerator is not designed to be installed in an outside area such as a garage or porch. Ambient temperatures below 50° or above 90° will hinder the performance of the appliance.

CARE AND MAINTENANCE

>The refrigerator should be cleaned on a regular basis (see "Cleaning").

It is necessary to have adequate space around the refrigerator in order to attain ideal performance, dissipation of heat, efficiency, and power consumption. A minimal clearance of 2 inches should be maintained at the rear and sides of the unit. Most importantly, never obstruct the front vents (see "Installation").

>To attain proper performance, be sure to plug the appliance into a properly grounded 115V/60 Hz outlet.

>Do not modify the power cord. Do not, under any circumstance, allow the unit to be plugged into a non-grounded outlet. To prevent heat damage to the power cord, please ensure that the cord does not come near to or in direct contact with the compressor of the refrigerator.

>To minimize rusting of metal parts, please avoid installing the refrigerator in a location where the appliance will come in contact with water or moisture.

>The refrigerator should not be installed near any heat source or in a location where it will come in direct contact with the sunlight.

>The components should be replaced only with like components by the manufacturer, its service agent, or a similarly qualified person in order to prevent a hazard, to minimize the risk of ignition, and to avoid compromising the cooling performance due to incorrect parts or improper service.

>If the door is opened for more than 3 minutes, the buzzer alarm will activate for 5 minutes. If the door is still open, the buzzer alarm will continue after 30 minutes for 5 minutes and repeat.

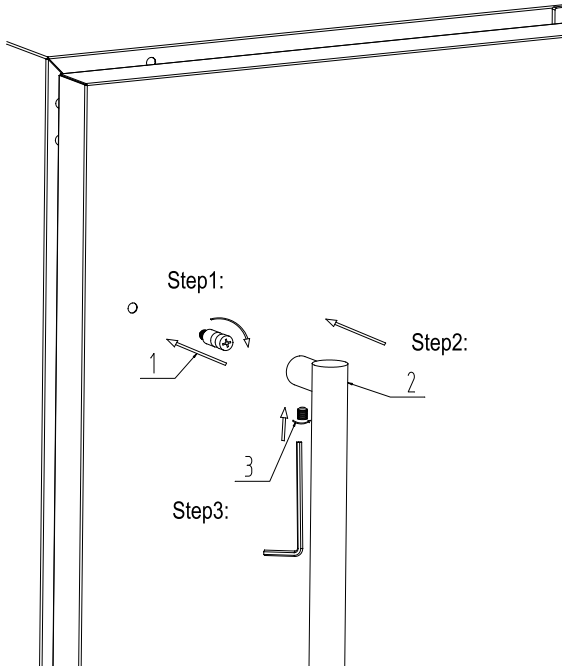
>The bottom of the refrigerator is equipped with a door lock. In the locked state, others can not open or close the refrigerator door, effectively avoiding the loss of items and mistakenly take. It also prevent children from locking themselves inside, eliminating potential safety hazards.

HANDLE INSTALLATION GUIDE

TOOLS NEEDED: Phillips screwdriver #2 and inner hexagon tool

IMPORTANT: NEVER LAY THE REFRIGERATOR ON ITS BACK.

The compressor components are installed at the back of the unit and are easily damaged if the refrigerator is placed on its back.



1. Affix the top and bottom screw with the screwdriver.
2. Put the handle on the previously placed screws, making sure the top and bottom screws are in the handle holes.
3. Use the inner hexagon tool to attach the top and bottom screw to the handle. Ensure the screws are tightened well but not overtightened.
4. Pull the handle to be sure it is securely fastened.

TROUBLE SHOOTING GUIDE

WHAT TO DO ...

When the fridge is not in use for a prolonged period:

- Remove the plug from the outlet.
- Remove all contents from the fridge.
- Dry the interior and leave the door open for a few days.

When the refrigerator does not work:

- Check if there is a power failure.
- Check if the power plug is plugged into the power outlet.
- Check that the fuse has not blown.

When you wish to move the fridge:

- Secure all movable parts and contents. (Package them separately if necessary.)
- Transport the fridge only in an upright position. Any other position may damage the compressor.

Before calling for service, please follow the checklist below. This may save you an expensive service call.

If the refrigerator seems too warm inside:

- Check to see that the door is closing properly and the door seal is not damaged.
- Check that the interior circulation is not obstructed by having too many goods stored (i.e., the fridge is overloaded).
- Did you store anything hot without first letting it cool to room temperature?
- Is there sufficient clearance around all sides and above the fridge?
- Is anything obstructing the front vents?

When the refrigerator is cooling excessively:

- The temperature may be set too high.
- If you place foods which contain a lot of moisture directly under the cooling outlets, they will freeze easily. This does not indicate a unit malfunction.

When the defrosting water overflows inside the refrigerator and onto the floor:

- Check that the drain pipe and the drain hose are not clogged.
- Check that the drain pan is housed properly.

When condensation forms on the outside of the refrigerator:

- Condensation may form on the outside when the humidity level is high, such as during a wet summer season. In this case, condensation does not indicate a problem with the machine. Simply wipe the refrigerator with a dry cloth.

If the fridge starts making any unusual noises:

- Is it wobbling? Re-level it and check if it now operates normally.
- Have any objects fallen behind the fridge? If so, remove them and check if operation is now normal.
- Are any containers inside the fridge vibrating? If so, rearrange them and then check to see if operation has returned to normal.

WARRANTY

We offers a limited 1-year warranty ("warranty period") on all of our products purchased new and unused from us with an original proof of purchase and where a defect has arisen, wholly or substantially, as a result of faulty manufacture, parts, or workmanship during the warranty period. The warranty does not apply where damage is caused by other factors, including without limitation:

- (a) normal wear and tear;
- (b) abuse, mishandling, accident, or failure to follow operating instructions;
- (c) exposure to liquid or infiltration of foreign particles;
- (d) servicing or modifications of the product other than by our company;

Our warranty covers all costs related to restoring the proven defective product through repair or replacement of any defective part and necessary labor so that it conforms to its original specifications. A replacement product may be provided instead of repairing a defective product. Our sole obligation under this warranty is limited to such repair or replacement. A receipt indicating the purchase date is required for any claim, so please keep all receipts in a safe place. Although greatly appreciated, the product registration is not required to activate any warranty, and product registration does not eliminate the need for the original proof of purchase. The warranty will be voided if repairs are performed by a non-authorized third party and/or if spare parts other than those provided by the Company are used.

You may also arrange for service after the warranty expires, at an additional cost. These are our general terms for warranty service, but we always urge our customers to reach out to us with any issue, regardless of warranty terms. If you have an issue with our products, please contact us (support@homyd.com), and we will do our best to resolve it for you.

