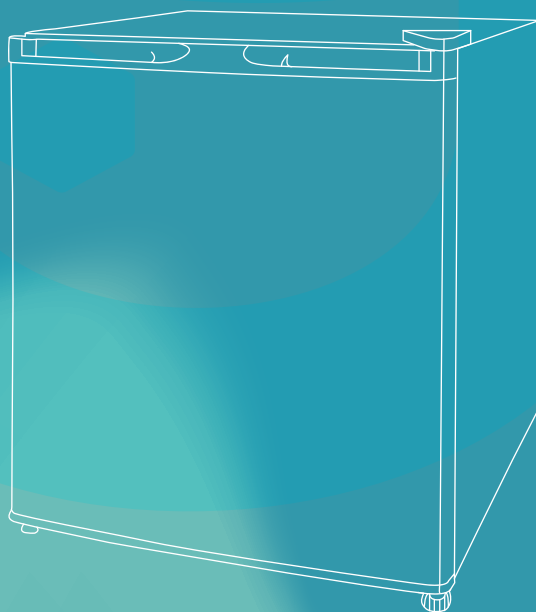


# Compact Refrigerator

Instruction Manual

SKU: RSD-16H / RSD-16S





# Congratulations

Dear Customer:

Welcome to the Euhomy family. Thank you for purchasing one of our products.

Our goal is to provide you with superior service. If there is anything missing from or wrong with your order, or if you have any questions about using our product, PLEASE contact us.

Email: [support@euhomy.com](mailto:support@euhomy.com)

Our team is available 24/7 to address your questions, comments, and concerns.

Your satisfaction is our ultimate goal. We want to make everything right so you'll share your positive experience with other shoppers.

If you experience any problems, please send an email to [support@euhomy.com](mailto:support@euhomy.com)

Our mission:

- \* To be the most trusted appliance brand.
- \* To create practical, compact appliances that better your life.

*Be sure to register at*  
**[www.euhomy.com/register](http://www.euhomy.com/register)**  
*for updates, warranty, and other relevant information.*

# Contents

Safety Precautions	2
Parts And Features	3
Installing Your Refrigerator	4–5
Refrigerator Features And Use	6–7
Proper Refrigerator Care And Cleaning	8–9
Troubleshooting	10–11
Warranty	12



# Safety Precautions

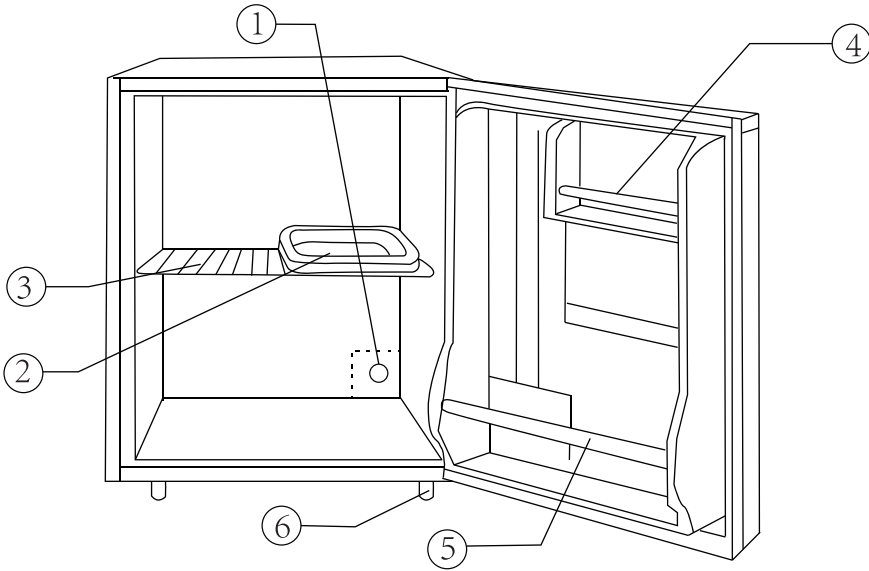
Read all of the instructions before using this appliance. When using this appliance, always exercise basic safety precautions, including the following:

**NOTE:** If the refrigerator has been placed in a horizontal or tilted position for any period of time, wait 24 hours before plugging in the unit.

- 1) Use this appliance only for its intended purpose as described in this use and care guide.
- 2) This refrigerator must be properly installed according to the installation instructions before it is used. See grounding instructions in the installation section.
- 3) Never unplug your refrigerator by pulling on the power cord. Always grasp the plug firmly and pull it straight out from the outlet.
- 4) Repair or replace immediately all electric service cords that have become frayed or otherwise damaged. Do not use a cord that shows cracks or abrasion damage along its length, the plug, or the connector end.
- 5) Unplug your refrigerator before cleaning or before making any repairs. Note: If for any reason this product requires service, we strongly recommend that a certified technician performs the service.
- 6) **DANGER – Risk of Fire or Explosion.** Flammable refrigerant used. Do not use Mechanical devices to defrost the refrigerator. Do not puncture the refrigerant tubing.
- 7) If your old refrigerator is not being used, we recommend that you remove the doors and leave the shelves in place. This will reduce the possibility of danger to children.
- 8) This refrigerator should not be recessed or built-in in an enclosed cabinet. It is designed for freestanding installation only.
- 9) Do not operate your refrigerator in the presence of combustible materials.

## SAVE THESE INSTRUCTIONS

# Parts And Features



- ① Temperature Control Knob
- ② Drip Tray
- ③ Removable Shelf
- ④ Dairy Rack
- ⑤ Bottle Rack
- ⑥ Adjustable Legs

# I Installing Your Refrigerator

## Unpacking Your Refrigerator

1. Remove all packaging material. This includes the foam base and all adhesive tape attaching the refrigerator's accessories to the inside and outside.
2. Inspect the refrigerator and remove any remains of packaging, tape, or printed materials before powering on the refrigerator.

## Proper Air Circulation

- To ensure your refrigerator works at the maximum efficiency it was designed for, you should install it in a location where there is proper air circulation, plumbing, and electrical connections.
- The following are recommended clearances around the refrigerator:

Sides	3/4" (19mm)
Top	2" (50mm)
Back	2" (50mm)

## Electrical Requirement

- Make sure there is a suitable power outlet (115 volts, 15 amps outlet) with proper grounding to power the refrigerator.
- Avoid the use of three-prong adapters or cutting off the third grounding prong in order to accommodate a two-prong outlet. This is a dangerous practice since it provides no effective grounding for the refrigerator and may result in shock hazards.



**DANGER** – Risk of Fire or Explosion. Flammable Refrigerant Used. To Be Repaired Only by Trained Service Personnel. Do Not Puncture Refrigerant Tubing

**CAUTION** — Risk of Fire or Explosion. Flammable Refrigerant Used. Consult the Repair Manual/Owner's Guide Before Attempting to Service This Product. All Safety Precautions Must be Followed

**CAUTION** — Risk of Fire or Explosion. Dispose of Property in Accordance with Federal or Local Regulations. Flammable Refrigerant Used

**CAUTION** — Risk of Fire or Explosion Due to Puncture of Refrigerant Tubing; Follow Handling Instructions Carefully. Flammable Refrigerant Used

# I Installing Your Refrigerator

## Use of Extension Cords

- Avoid the use of an extension cord because of potential safety hazards under certain conditions. If it is necessary to use an extension cord, use only a 3-wire extension cord that has a 3-blade grounding plug and a 3-slot outlet that will accept the plug. The marked rating of the extension cord must be equal to or greater than the electrical rating of the appliance.

## Installation Limitations

- Do not install your refrigerator in any location not properly insulated or heated (e.g., a garage). Your refrigerator was not designed to operate in temperature settings below 55 degrees Fahrenheit.
- Select a suitable location for the refrigerator on a hard even surface away from direct sunlight or heat source (e.g., radiators, baseboard heaters, or cooking appliances). Any floor unevenness should be corrected with the leveling legs located on the front bottom corners of the refrigerator.

## Door Alignment (see Fig. #1)

1. Remove the top hinge cover by using a flathead screwdriver. Place the head under the front edge of the cap and gently lift.
2. Loosen the top hinge screws using a Phillips-head screwdriver.
3. Adjust the door or add a spacer and tighten the screws.
4. Replace the top hinge cover by aligning the rear of the cover with the rear of the hinge. Press firmly on the front of the cover until it snaps in place.

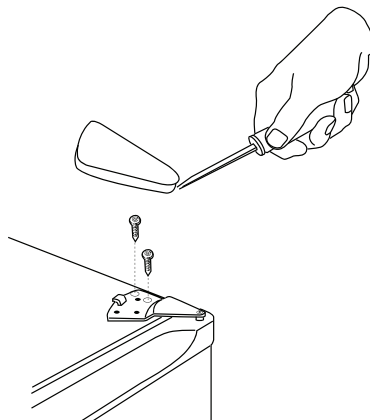


fig. 1

# Refrigerator Features And Use

## General Features

### Adjustable temperature dial:

Your refrigerator will automatically maintain the temperature level you select.

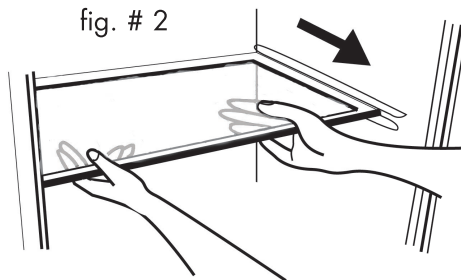
The temperature control dial has 7 settings plus "0"; 1 is the warmest, and 7 is the coldest. At first, set the dial to 4 and allow 24 hours to pass before adjusting the temperature to your needs.

**NOTE:** If the refrigerator has been placed in a horizontal or tilted position for any period of time, wait 24 hours before plugging in the unit.

## Refrigerator Interior Shelves

### To remove or replace a full-width slide-out shelf: (see Fig. # 2)

1. Gently tilt the shelf up and slide forward until the shelf has been completely removed.
2. To replace the shelf, gently slide the shelf back.



# I Refrigerator Features And Use

## Defrosting Your Refrigerator

Heavy frost will affect the efficiency and performance of the refrigerator and can generate increased energy consumption. If the frost inside of the freezer gets as thick as a quarter inch, you must defrost the refrigerator. Follow these steps to defrost the freezer:

- 1.Remove all food from the refrigerator and freezer.
- 2.Remove the drawers and shelves.
- 3.Unplug the power supply cord.
- 4.Open the doors and wait for the appliance to defrost completely.
- 5.Clean up the water with dry towels. Replace all the parts, plug In the refrigerator, and return the thermostat dial to the desired setting.

**NOTE:** DO NOT use any other means to speed up the defrosting process, which may damage the cooling system. DO NOT use sharp instruments to scrape off the ice/frost.

## Normal Operating Sounds You May Hear

- Bubbling water, gurgling sounds, or slight vibrations, which are the result of the refrigerant circulating through the cooling coils.
- Thermostat control clicking when it cycles on and off.

# I Proper Refrigerator Care And Cleaning

## Cleaning and Maintenance

**Warning:** To avoid electric shock, always unplug your refrigerator before cleaning. Ignoring this warning may result in death or injury.

**Caution:** Before using cleaning products, always read and follow the manufacturer's instructions and warnings to avoid personal injury or product damage.

**General:** Prepare a cleaning solution of 3–4 tablespoons of baking soda mixed with warm water. Use a sponge or soft cloth, dampened with the cleaning solution, to wipe down your refrigerator.

- Rinse with clean warm water and dry with a soft cloth.
- Do not use harsh chemicals, abrasives, ammonia, chlorine bleach, concentrated detergents, solvents, or metal scouring pads. Some of these chemicals may dissolve, damage, and/or discolor your refrigerator.

**Door Gaskets:** Clean the door gaskets every three months according to these general instructions. Gaskets must be kept clean and pliable to ensure a proper seal.

- Petroleum jelly applied lightly on the hinge side of gaskets will keep the gasket pliable and ensure a good seal.

**DANGER – Risk of Fire or Explosion due to puncture of refrigerant tubing. Flammable refrigerant used. Do not use metal instruments during cleaning. Do not puncture refrigerant tubing.**

## Maintenance

Risk of Fire or Explosion. Flammable refrigerant used. Do not puncture refrigerant tubing. To be repaired only by trained authorized service personnel. Consult the Repair Manual before attempting to service this product. All Safety Precautions Must be followed. Parts shall be replaced with like components to minimize the risk of possible ignition due to incorrect parts or improper service.

# I Proper Refrigerator Care And Cleaning

## Power Interruptions

- Occasionally, there may be power interruptions due to thunderstorms or other causes. Remove the power cord from the AC outlet when a power outage occurs. When power has been restored, replace the power cord in the AC outlet. If the outage is prolonged, inspect and discard spoiled or thawed food in the refrigerator. Clean the refrigerator before reusing it.

## Vacation and Moving Care

- For long vacations or absences, empty food from the refrigerator, move the temperature dial to the 110" position, and clean the refrigerator and door gaskets according to the "General Cleaning" section. Prop doors open so that air can circulate inside. When moving it, always move the refrigerator vertically. Do not move with the unit lying down. Possible damage to the sealed system could occur.

## Energy Saving Tips

- The refrigerator should be located in the coolest area of the room, away from heat-producing appliances or heating ducts, and out of direct sunlight.
- Let hot foods cool to room temperature before placing them in the refrigerator. Overloading the refrigerator forces the compressor to run longer and thus increases energy consumption. Foods that refrigerate too slowly may lose quality or spoil.
- Be sure to wrap foods properly, and wipe containers dry before placing them in the refrigerator.
- The wire shelves should not be lined with aluminum foil, wax paper, or paper towels. Liners interfere with cold air circulation, making the refrigerator less efficient.
- Organize food to reduce door openings and extended searches. Remove as many items as needed at one time, and close the door as soon as possible.



# I Troubleshooting

## Refrigerator does not operate:

- Check if the thermostat control is not in the "OFF" position.
- Check if the refrigerator is plugged in.
- Check if there is power at the AC outlet, by checking the circuit breaker.

## Food temperature appears too warm:

- Frequent door openings.
- Allow time for recently added warm food to reach fresh food temperature.
- Check gaskets for proper seal.
- Adjust the temperature control to a colder setting.

## Food temperature is too cold:

- If the temperature control setting is too cold, adjust to a warmer setting and allow several hours for the temperature to adjust.

## Refrigerator runs too frequently:

- This may be normal to maintain a constant temperature during high temperatures and humid days.
- Doors may have been opened frequently or for an extended period.
- Check the gasket for proper seal.
- Check to see if doors are completely closed.

## Moisture build-up on the interior or exterior of the refrigerator:

- This is normal during high-humidity periods.
- Prolonged or frequent door openings.
- Check door gaskets for proper seal.

## Refrigerator has an odor:

- Interior needs cleaning.
- Foods improperly wrapped or sealed are giving off odors.

# I Troubleshooting

## Refrigerator door does not shut properly:

- Level the refrigerator.
- Re-align the refrigerator door.
- Check for blockages (e.g., food containers, crisper cover, shelves, or bins).

## Popping or cracking sound when the compressor comes on:

- Check to ensure the refrigerator is level.
- The floor may be uneven or weak. The refrigerator rocks on the floor when it is moved slightly. Be sure the floor can adequately support the refrigerator. Level the refrigerator by putting wood or metal shims under part of the refrigerator.
- The refrigerator is touching the wall, re-level the refrigerator and move it from the wall. See the “Installing Your Refrigerator” section.

# I Warranty

We offers a limited 1-year warranty ("warranty period") on all of our products purchased new and unused from us with an original proof of purchase and where a defect has arisen, wholly or substantially, as a result of faulty manufacture, parts, or workmanship during the warranty period. The warranty does not apply where damage is caused by other factors, including without limitation:

- (a) normal wear and tear;
- (b) abuse, mishandling, accident, or failure to follow operating instructions;
- (c) exposure to liquid or infiltration of foreign particles;
- (d) servicing or modifications of the product other than by our company;

Our warranty covers all costs related to restoring the proven defective product through repair or replacement of any defective part and necessary labor so that it conforms to its original specifications. A replacement product may be provided instead of repairing a defective product. Our sole obligation under this warranty is limited to such repair or replacement. A receipt indicating the purchase date is required for any claim, so please keep all receipts in a safe place. Although greatly appreciated, the product registration is not required to activate any warranty, and product registration does not eliminate the need for the original proof of purchase. The warranty will be voided if repairs are performed by a non-authorized third party and/or if spare parts other than those provided by the Company are used. You may also arrange for service after the warranty expires, at an additional cost. These are our general terms for warranty service, but we always urge our customers to reach out to us with any issue, regardless of warranty terms. If you have an issue with our products, please contact us ([support@euhomy.com](mailto:support@euhomy.com)), and we will do our best to resolve it for you.

# EÜHOMY

# Live the *cool life*



Email: [support@euhomy.com](mailto:support@euhomy.com)



Facebook: [@Euhomy.Official](https://www.facebook.com/Euhomy.Official)