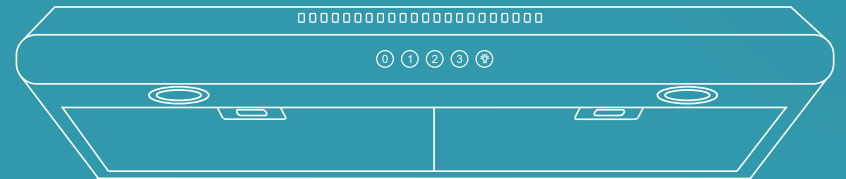


SKU: ZX-RH-02

RANGE HOOD



Congratulations on purchasing your new product. To ensure proper operation, please read this instruction manual carefully before using this product. Keep this manual in a safe place for future reference.

 **Email:**
support@homyd.com

Congratulations

Dear Customer:

Welcome to our family. Thank you for purchasing our range hood.

Our goal is to provide you with superior service. If there is anything missing from or wrong with your order, or if you have any questions about using our range hood, PLEASE contact us.

Email: support@homyd.com

Our team is available 24/7 to address your questions, comments, and concerns. Your satisfaction is our ultimate goal. We want to make everything right so you'll share your positive experience with other shoppers on Amazon.

If you experience any problems, please send an email to support@homyd.com.

CONTENT

Introduction	02
Safety Precaution	02
Parts Diagram	03-04
Installation Instructions	04-05
Air Outlet Installation Method	06
Installation	06-07
Operation	08
Maintenance	09-10
Trouble-Shooting	11
Environmental Protection	11
Product Information	12
Warrenty and service	12

I Introduction

Thank you for choosing this cooker hood.

- This instruction manual is designed to provide you with all required instructions related to the installation, use and maintenance of the appliance.
- In order to operate the unit correctly and safely, please read this instruction manual carefully before installation and usage.

I Safety Precaution

- Never let the children operate the machine.
- The cooker hood is for home use only, not suitable for barbecue, roast shop and other commercial purpose.
- Clean the cooker hood according to the instruction manual and keep the unit from danger of burning. There is a fire risk if cleaning is not carried out in accordance with the instructions.
- Please keep the kitchen room a good convection before connecting this appliance; Please check that the power supply cord is undamaged. A damaged supply cord must be replaced by qualified service personnel only.
- Regulations concerning the discharge of air have to be fulfilled.
- This appliance can be used by children aged from 8 years and above also the persons with reduced physical, sensory or mental capabilities or lack of experience and knowledge if they have been given supervision or instruction concerning use of the appliance in a safe way and understand the hazards involved. Children shall not play with the appliance. Cleaning and user maintenance shall not be made by children without supervision.
- If the supply cord is damaged, it must be replaced by the manufacturer, its service agent or similarly qualified persons in order to avoid a hazard.

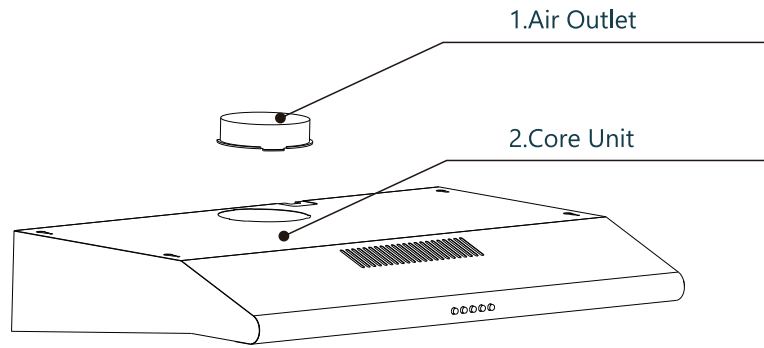


CAUTION:

Accessible parts may become hot when used with cooking appliance. Electrical Shock Hazard

Only plug this unit into a properly earthed outlet.
If you have doubts, seek advice from a suitably qualified engineer.

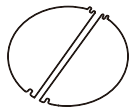
I Parts Diagram



Parts Supplied



Air Outlet



Dampers



Vent Cover



X 8
St4 x 30



X 8
φ 5 x φ 8

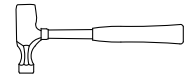
Tools Required



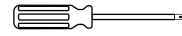
Pencil



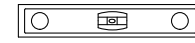
Measuring tape



Hammer



Screwdriver



Level



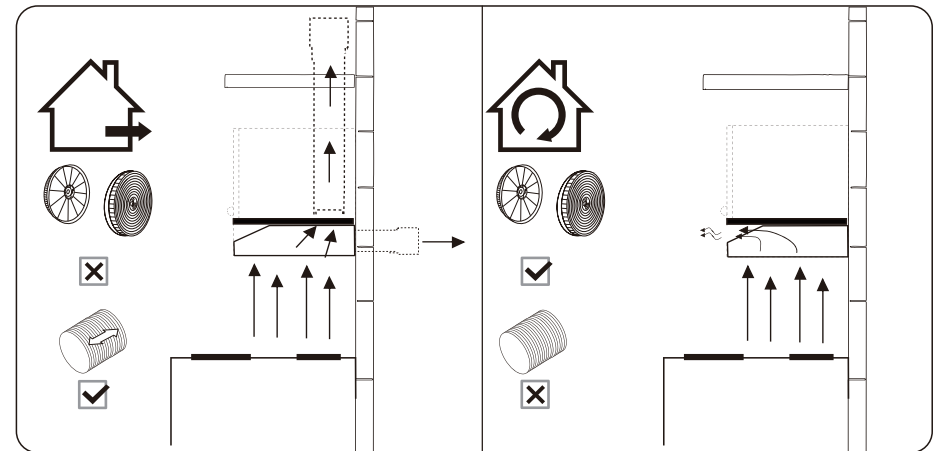
Electric drill



Duct Tape

I Installation Instructions

Prepare for installation:

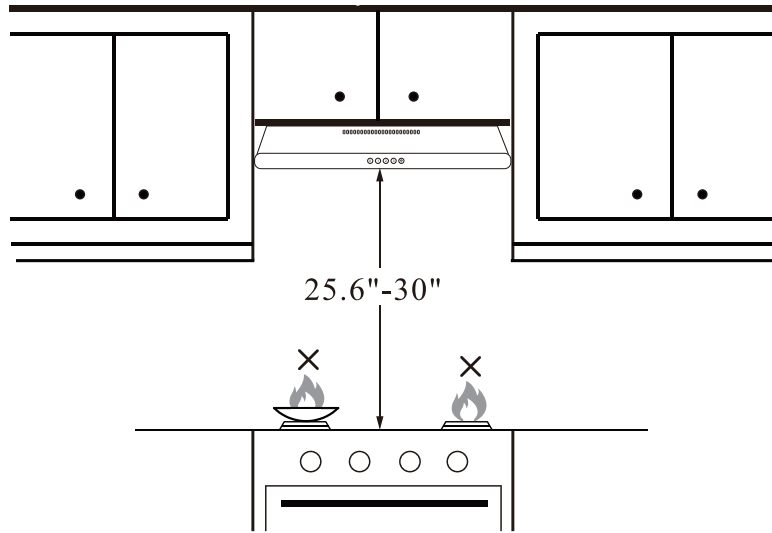


DUCTED OPTION

RECIRCULATION OPTION

If you have an outlet to the outside, your cooker hood can be connected as above picture by means of a pipe (with an interior diameter of 120mm).
If you don't have an outlet to the outside, you can go with recirculation mode by using charcoal filter.

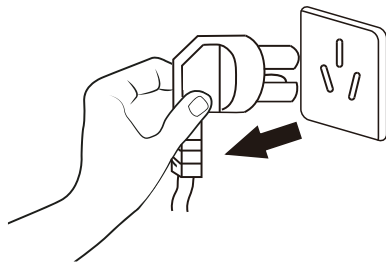
Installation Requirements



The cooker hood should be placed at a distance of 25.6"~30" above the cooktop for the best effect.



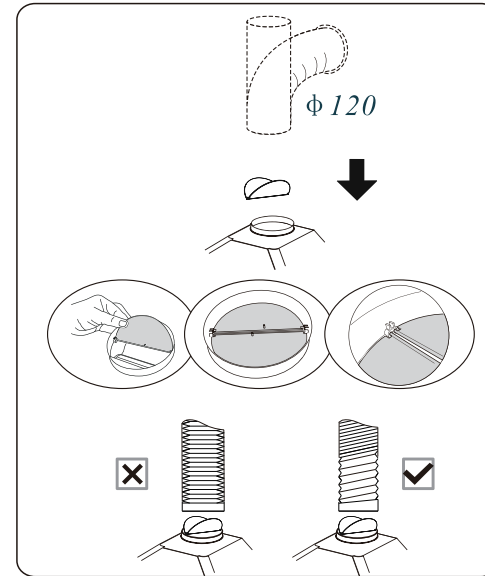
Note No open flames directly approach to the range hood.



Before installation, turn the unit off and unplug it from the outlet.

Note: The power cord is 1.1 meters . It is not recommended that user replace the power cord or cut the power cord.

I Air Outlet Installation Method



Installation method for 120mm diameter pipe: insert the one-way valve as the pic and fix the duct.

Attention: The bump of the one-way valve must be upward.

The pipe near the air outlet need to be fully extended.

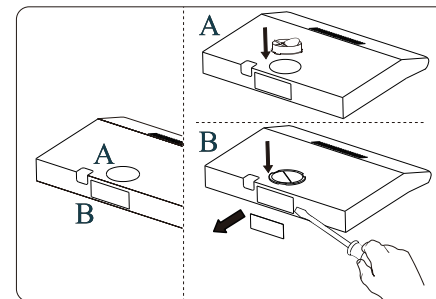
I Installation



Note Please connect the power supply to test and confirm that the power is on before installing this under cabinet range hood.

- (1) Watch the installation video in our listing :
- (2) Refer to the installation instructions:

Two methods of ventilation (A&B)

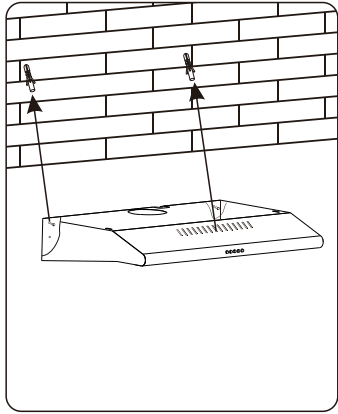


Vertical ventilation:

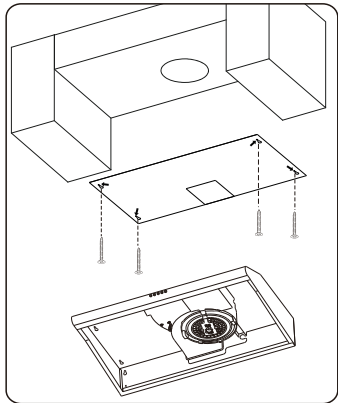
Method A: connect the 120mm air outlet to the top vent of slim hood.

Method B: cover the top vent of slim hood with outlet cover provided and remove the back square metal plate with tool.

Two ways for installation(A&B)



Way A (Wall mounted): According to the center distance of hole in the back of the slim hood, measure the position and then drill 2pcs Ø8mm holes on the wall. Insert the plastic wall anchors into each holes and tighten 2pcs ST4x30 screws into the plastic wall anchors. Place the slim hood onto the tighten screws. Fix the cooker hood with safety screw. The two safety screw vents are positioned on the back casing, with diameter of 6mm. Put the one-way-valve onto the hood to finish installation.

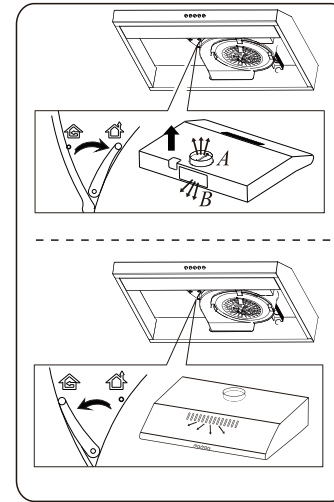


1. Stick the installation paper on the bottom of cabinet.
2. Drill 4 holes according to the paper showed. (If you need top vent, cut a square hole according to the paper showed.)
3. Remove the installation diagram after drilling the holes.
4. Insert the plastic wall anchors into each holes and tighten ST4x30 screws into the plastic wall anchors.



Note

1. The extensible pipe are optional accessory, not supplied.
2. Take off protection film before installation.
3. There are 2 methods for ventilation, including horizontal ventilation and vertical ventilation. Please pay attention to the ventilation method when installation.



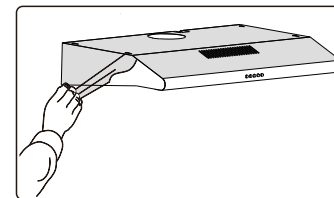
Air ventilation setting

Outdoor exhausting: Turn the adjuster to outdoor position, install the outlet, turn on the cooker hood, then the air will be vented from the outside outlet.

Ps: When you are going to use ventilation mode, if the rotate plate point the recirculation position, the suction will be reduced a lot.

Recycling: The recycling mode with carbon filter, Turn the adjuster to indoor position, install the outlet cover, turn on the cooker hood, then the air can be vented from the inside outlet.

⚠ WARNING: The charcoal cannot be washed or recycled. It should be changed at most after 120 hours using. The carbon filter shouldn't be exposed to heat.



⚠ CAUTION:
BEFORE USE

Please remove the white/blue protective film on the rangehood.

I Operation

Push Button



- ① **OFF button** Turn off the fan.
- ① **Low Speed button**
Starts the fan at low speed .
It is suitable for simmering and cooking which does not make much steam.
- ② **Medium Speed button**
Starts the fan at medium speed.
This is ideal for ventilation during standard cooking operation.
- ③ **High Speed button**
Starts the fan at high speed.
This is ideal for when a high density of smoke or steam has been produced.
- ⚡ **Light button**
Used for turning on/off the light.

Maintenance

Before cleaning switch the unit off and pull out the plug.

I. Regular Cleaning

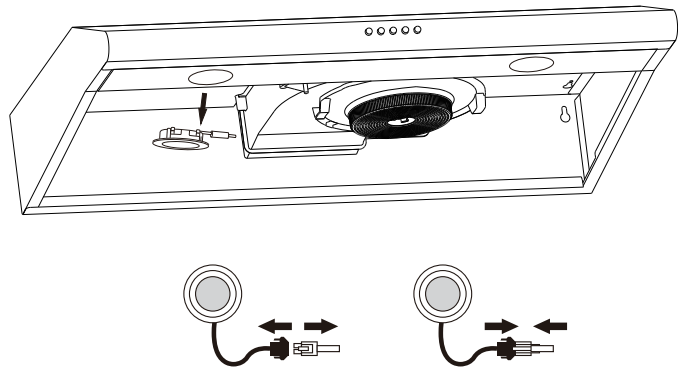
Use a soft cloth moistened with hand-warm mildly soapy water or household cleaning detergent. Never use metal pads, chemical, abrasive material or stiff brush to clean the unit.

II. LED Light Replacement

Switch the unit off and unplug the appliance.

CAUTION: LAMP UNIT MAY BE HOT!

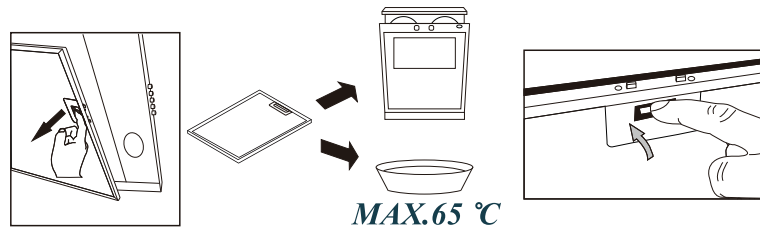
WAIT UNTIL THE UNIT IS COOL. BEFORE attempting to replace the LED lamps make sure the unit is powered off and UNPLUGGED.



III. Filter and charcoal filters replacement

In order to install the carbon filter, the grease filter should be detached first. Press the lock and pull it downward.


1 MONTHS



Filters: To avoid fires, clean thoroughly once a month or whenever the display pilot lights up (if fitted). To do so, remove the filters and soak in hot water and detergent for an hour. If using a dishwasher, position the filters vertically to improve the cleaning process.

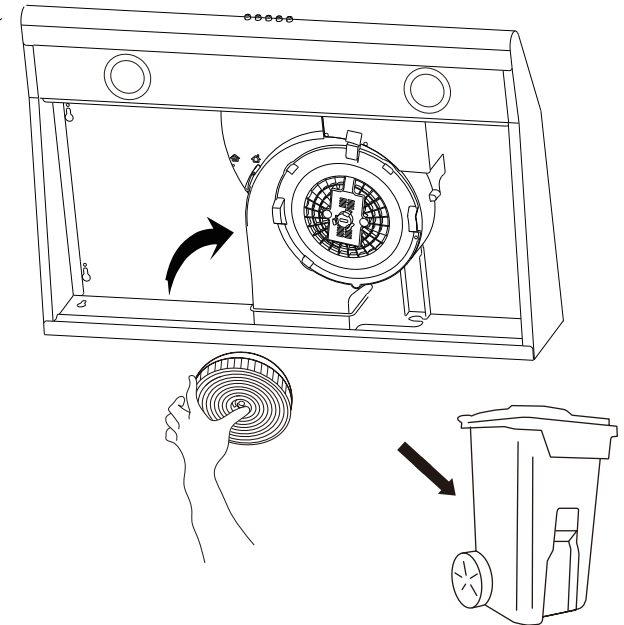
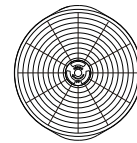
IV. Charcoal filter life time: Suggest changing to new one every 3 months (According to different kitchen condition, the life time of charcoal filter might be longer or shorter than 3 months).

Installation:

1. Remove the Aluminum Filters. 2. The charcoal filter is installed to the motor housing as shown.

Line up the filter over the center of the motor housing, then turn the filter until the side tabs fit into slots and locks in place.


3 MONTHS



Important Notice:

1. Make sure the filter is securely locked. Otherwise, it would loosen and cause abnormal noise and danger.
2. Using charcoal filter would reduce the air flow of the range hood.

I Troubleshooting

Fault	Cause	Solution
Light on, but fan does not work	The fan blade is jammed.	Switch off the unit and repair by qualified service personnel only.
	The motor is damaged.	
Both light and fan do not work	Light is burnt out.	Replace the LED light with correct rating.
	Power cord is loose.	Plug into the power supply again.
Serious Vibration of the unit	The fan blade is damaged.	Switch off the unit and repair by qualified service personnel only.
	The fan motor is not fixed tightly.	
	The unit is not hung properly on the bracket.	Take down the unit and check whether the bracket is in proper location.
Suction performance not good	Too far distance between the unit and the cooktop.	Readjust the distance between 25.6"-30"

I Environmental Protection



Waste electrical products should not be disposed of with household waste. Please recycle where facilities exist. Check with your Local Authority or retailer for recycling advice.

I Product Information

Product Name: Range Hood

Product Model: ZX-RH-02

Rated Voltage: 110-120V/60hz

Rated Power: 82W

I Warranty and service

This product is covered by a 12-month product and warranty from the date of initial purchase in case of any problems, please contact the Customer Service Center via the contact information listed in this User Guide.

Our warranty covers replacement products by repairing or replacing any defective parts and labor necessary to bring it up to its original specifications, and we can provide a replacement product instead of repairing the defective product. Our sole obligation under this warranty is limited to such repair or replacement.

Any claim will require a receipt showing the date of purchase, so please keep all receipts in a safe place.

While greatly appreciated, product registrant is not required to activate any warranty and product registration does not eliminate the need for proof of original purchase.

The warranty will be voided if repairs are performed by a non-authorized third party and/or if spare parts other than those provided by us are used, These are the general terms of our warranty service, but we always urge our customers to contact us (support@homyd.com) with any questions they may have, regardless of the terms of the warranty.