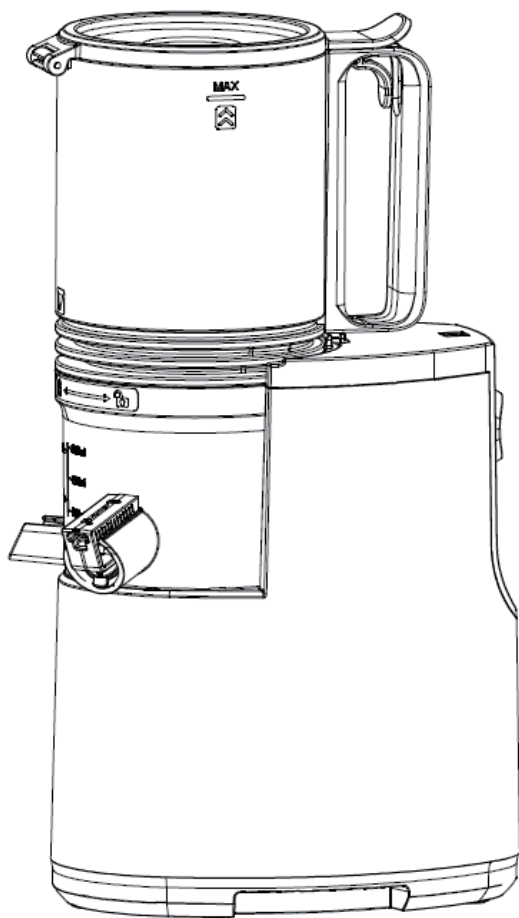


Multifunction Slow Juicer

INSTRUCTION MANUAL



SKU: MJ001-55BL-USZX-AZ, MJ001-55SI-USZX-AZ
Model: MJ001-55

CONGRATULATIONS

Dear Customer:

Welcome to our family. Thank you for purchasing one of our products.

Our goal is to provide you with superior service. If there is anything missing or wrong with your order, or if you have any questions about using our product, PLEASE contact us.

Email: **support@homyd.com**

Our team is available 24/7 to address your questions, comments, and concerns. Your satisfaction is our ultimate goal. We want to make everything right so you'll share your positive experience with other shoppers on Amazon.

If you experience any problems, please send an email to **support@homyd.com**

Our mission:

- * To be the most trusted appliance brand.
- * To create practical, compact appliances that better your life.

CONTENTS

Precautions	01-02
Parts and functions	02-03
Juicer parts	02
Parts name and function	03
How to use	03-06
Maintenance	06
Safety Index	06
Fault Analysis & Removal	07

Safety precautions

- 1.The input voltage is 120V ~ 60Hz, please confirm before use;
- 2.This product belongs to the Y connection; if the supply cord is damaged, to avoid danger, the manufacturer or its repair department should replace this;
- 3.If the product needs to be repaired, please contact our customer service department, or directly to the company-designated repair, do not do this yourself, to avoid danger;
- 4.Be sure to disconnect the power supply before any part is removed, installed, or adjusting any part of the product;
- 5.Before use, please check if the power cord, plug, juicing network, screw, and other parts are damaged, if found damaged please stop using the product, and contact our customer service department, do not disassemble or try to repair yourself, to avoid danger;
- 6.Before the power supply is switched on, please ensure that all the detachable parts are installed correctly in place, and the container is fully tightened with the cover, to avoid juice leakage, please check the container cover for any abnormalities;
- 7.The product is equipped with intelligent protection components. In the process of using the product the automatic protection will stop working due to excessive power. In order to continue to use please wait for 20-30 minutes before restarting, this method is beneficial to extend the service life of the product;
- 8.If there is an overload or blockage whilst the product is being used, it will stop automatically. To restart, it is recommended to clean the feeding barrel ingredients and then continue to use;
- 9.Food should be cut into small pieces, and to be placed in the feeding cylinder when appropriate. Remove hard seeds, thick skin, or shells or pips before processing;
- 10.This product is not suitable for juicing hard and fibrous ingredients such as ice cubes, coconuts, and sugar cane juice, Such ingredients can easily get stuck, leading to the damage of components, thus affecting the service life of the product;
- 11.When adding the ingredients, the ingredients should be cut into the appropriate size to allow ease of pushing in the ingredients into the juicer using little force;
12. It is prohibited to use any objects e.g. hands instead of the pushing rod to push the food in the juicer to prevent damage from coming into contact with the screw part. In doing so will prevent damage to the appliance and reducing minor accidents to users, especially the elderly and young children;
- 13.Do not leave the appliance running unattended to prevent accidents ;
- 14.The various parts of the products are not allowed to be used in the microwave or heated oven, to avoid thermal deformation damage. The materials that are in contact with food comply with food grade certification requirements, clean, sanitary, and reliable;
- 15.Some ingredients that are used may stain various parts such as the filtering net, screw, container cover, and other accessories. This is a common issue and does not affect the consumption of juice.

16. Do not put the main body in water or other liquid, nor rinse in water or other liquids; each component is strictly prohibited to cleaning in high temperatures above 140°F;

17. Do not use steel wool, abrasive cleaning agents, or corrosive liquids (e.g. petrol or acetone to clean the product);

18. The product should be stored out of the reach of children. This appliance is not intended for use by persons (including children) with reduced physical, sensory or mental capabilities, or lack of experience and knowledge, unless they have been given supervision or instruction concerning use of the appliance by a person responsible for their safety.

19. Do not use any components of this appliance in the dishwasher;

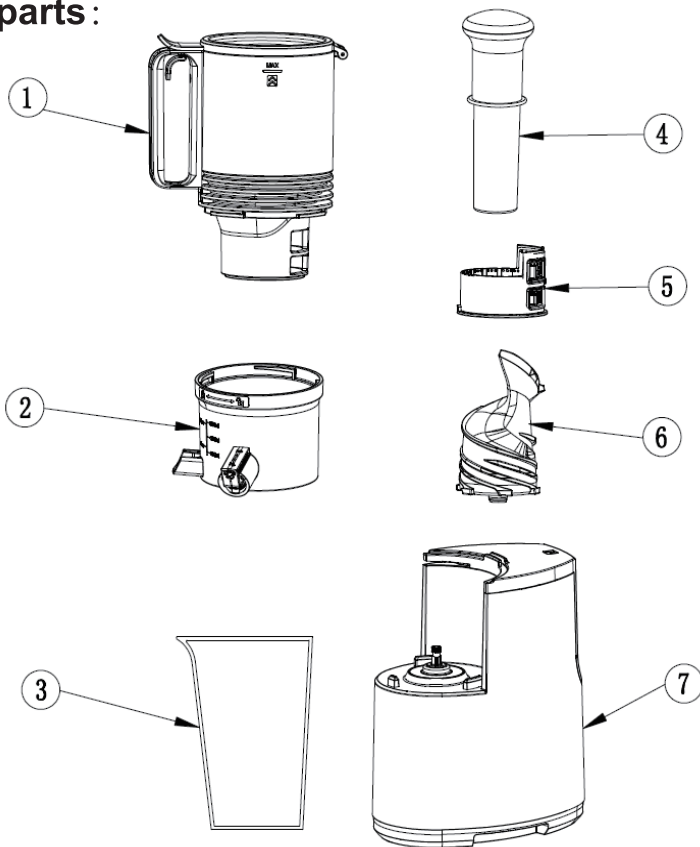
20. This product is only suitable for household use only;

21. This product's components should not be heated;

22. This product is a class I appliance, the socket will be earthed.

Parts and functions

Juicer parts :



Noted: Product picture please refer to the actual package.

Parts name and function:

No.	Name	Functions
1	Feeding Bowl	The main components of the juice is used for putting food
2	Juice Bowl	The main components to juice
3	Juice collect cup	To collect the juice
4	Pulp collect cup	To collect the pulp
5	Pusher	To push the ingredients into it slowly
6	Filter Screen	The main component of juice extraction, which separates juice and residue
7	Screw Shaft	The main components to squeeze the food
8	Main Body	The main components to offer the energy

How to use

Before using the product, please wash thoroughly the parts that come in contact with the foods (see Chapter 4 maintenance)

Key operation: (the product is provided with a protective switch; the product will not work if the lid is not secured)

How to use

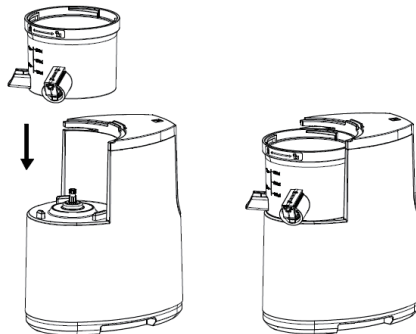
Please install and use the product according to the following procedures:

Juice function (Disassemble method is the reverse order of the assembly method)

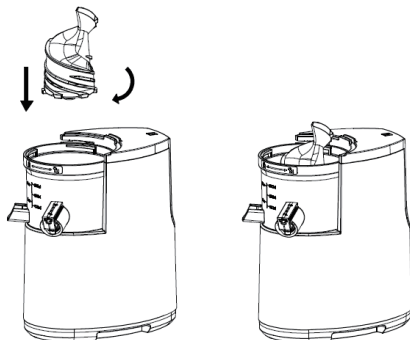
Confirm the bottom of the silicone plug is installed before installing the juicer container.

If not installed, the juice will flow out or the juicing rate will be reduced.

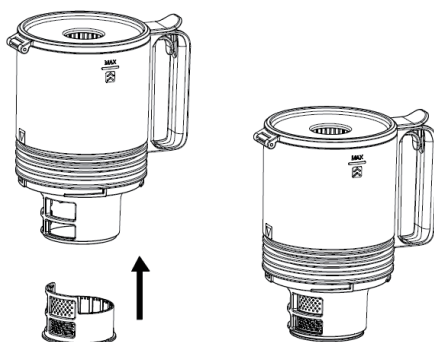
1. Align the three holes on the juice bowl with the three bulges on the base of the main body, and put the juice bowl on the main body.



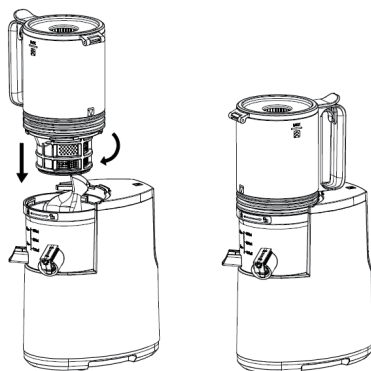
2. Align the screw shaft with the center of the juice bowl and insert it. After inserting the screw shaft to the bottom, rotate the screw counterclockwise, ensure that the screw is fully fastened to the main motor shaft in the main body.



3. Install the filter screen, which should be vertically inserted into the feeding bowl according to the direction shown in the diagram and install in place.



4. Align the triangle on the lid with the unlock mark on the juice bowl, then rotate it clockwise, and align the triangle with the lock mark, that is completely locked and vice versa to unlock it.



5. Connect the power supply



Button "ON" : Press it, and the product starts up and pulls down the ingredients. If you want to stop, press the Button "REV" to make the switch back to the "OFF" position.
Button "REV" : Press and hold, to push the ingredients back up to dislodge when it is stalls and the screw will begin to reverse. Release the button and press the Button "ON", it goes back to normal position. Repeat REV-OFF-ON as often as needed to achieve the desired result.

EN

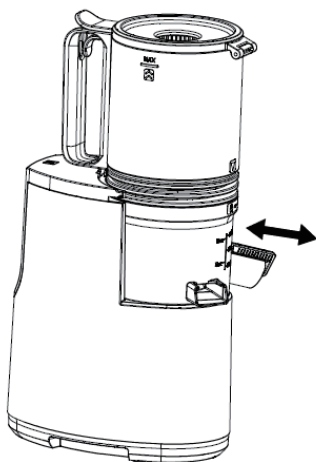
6. Wash the ingredients and cut them into the inlet size, put them on the tray

- Cut leafy vegetables into small pieces before juicing, and properly control the feed rate
- Remove pits, hard seeds, and thick skin or crust of the ingredients before juicing
- Choose the appropriate ingredients, see "Chapter Three How to Use"

7. Put the ingredients into the feeding port at the top of the feeding cup, Slowly push the ingredients in with the push rod;* in order to juice apples or ingredients larger than the feeding port, first open the lid, then put the ingredients in, and then secure the lid.



8. Press the Button "ON/OFF" when food is processed and no more juice flows out. After the motor and screw stop completely, take the juice cup away from the juice mouth, and slag the outlet.
- Juice mouth can adjust the quantity of juice with pull-out and is easy to clean



Maintenance

1. Before cleaning the product, press the "REV" button first, then turn off and disconnect the power supply. (If the "REV" is not pressed, after disconnecting the power, simply rotate the screw clockwise to remove it)
2. Cleaning the machine timely after use
3. Do not put the main body into water or other liquid or wash it in water or other liquid. Just wipe with a damp cloth
4. The appliance should be kept in a cool dry place
5. Make sure the machine is clean and dry before using
6. Refer to the appropriate dismounting steps before cleaning

Safety Index

Input Voltage	220-240V~
Power	250W
Frequency	60Hz
Continuous working period	≤20 Minutes
Spacing interval	≥10 Minutes

Fault Analysis & Removal

EN

Fault phenomenon	Fault Analysis	Fault Removal
Push the "Switch" and No feedback	1. Check the Power cord and confirm it is inserted correctly. Intelligent protection on due to excessive use.	1. Insert the Power cord 2. Restart after 20-30 minutes
Smell from the motor running, the first few time use	It's common for a new motor	Send it to our maintenance point for repair if it still has a smell
Stop working midway juicing	1. Too much food and fruit in the feeding tube which caused overload or block up then ceased 2. Intelligent protection on due to excessive use.	1. Decrease adding food & fruit and push the stick slightly. 2. Restart after 20-30 minutes
A lot of fruit pulp contained in the juice	Juice filter is damaged	Replace the juice filter

