

This is not a machine fault if the following symptoms occur:

- **Dew on the surface outside the glass door of the electric cigar humidor :**

In the environment of the humidity is bigger, or on a rainy day, the electric cigar humidor door will likely condensation surface this is due to the moisture in the air in contact glass with the electric cigar humidor glass door surface, the user can through the high set temperature of the thermostat to reduce glass surface condensation, the lower the temperature inside ark, condensation, the more obvious, please use dry soft cloth to wipe the glass sur ace cond fensation can outside the door.

- **Condensation in cold room wall:**

In the environment with high humidity,the electric cigar humidor door is too long or too much, etc., it is easy to cause condensation in the wall of the refrigerator, especially in the refrigeration system, the condensation water will flow to the water level from the drainage hole into the water box.



Warning!

- Do not block the electric cigar humidor drain.
- After using your the electric cigar humidor for a period of time, you need to check whether the special water box at the bottom of the electric cigar humidor needs to be changed. Normally, the water should be changed once every half a month.

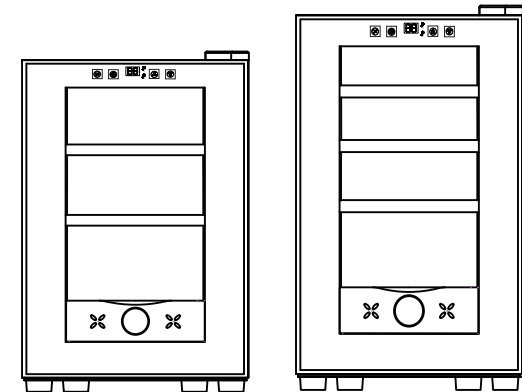
IX. SAFETY NOTES:

Follow the following requirements at all times when using the electric cigar humidor:

- (1) Use the electric cigar humidor strictly in accordance with the specified purposes.
- (2) The appliance is used for household and similar purposes, such as :- a kitchen area in a shop, office or other workplace; Customers of farms, hotels, motels and residential environments; Aguesthouse environment; Restaurant and similar non-retail applications.
- (3) If the supply cord is damaged, it must be replaced by professionals from the manufacturer, its maintenance department or similar departments in order to avoid danger.
- (4) Children are forbidden to climb the electric cigar humidor in order to avoid damaging the cabinet and causing physical injury.
- (5) Do not use power distribution.

INSTRUCTION MANUAL

electric cigar humidor



SKU : CHB-25-AZ-HM/CHB-35-AZ-HM

If you have any questions, please contact our professional after-sales team first, we will provide you with satisfactory solutions.
Email: support@homyd.com

Congratulations

Dear Customer:

Welcome to the Euhomy family. Thank you for purchasing one of our products.

Our goal is to provide you with superior service. If there is anything missing from or wrong with your order, or if you have any questions about using our fridge, PLEASE contact us.

Email: support@euhomy.com

Facebook: [@Euhomy.Official](https://www.facebook.com/Euhomy.Official)

The Euhomy team is available 24/7 to address your questions, comments, and concerns. Your satisfaction is our ultimate goal. We want to make everything right so you'll share your positive experience with other shoppers on Amazon.

If you experience any problems, please send an email to support@euhomy.com.

Our mission:

* To be the most trusted appliance brand.

* To create practical, compact appliances that better your life.

Be sure to register at

www.euhomy.com/register

for updates, warranty, and other relevant information.

Index

I. General Safety Precautions.....	3
II. Technical Data.....	4
III. Illustrated Structure	4
IV. Electric Principle Diagram.....	5
V. Directions For Use.....	5
VI. Particular Precautions.....	6
VII. Maintenance.....	6
VIII. Troubleshooting.....	6
IX. Safety Instructions.....	7

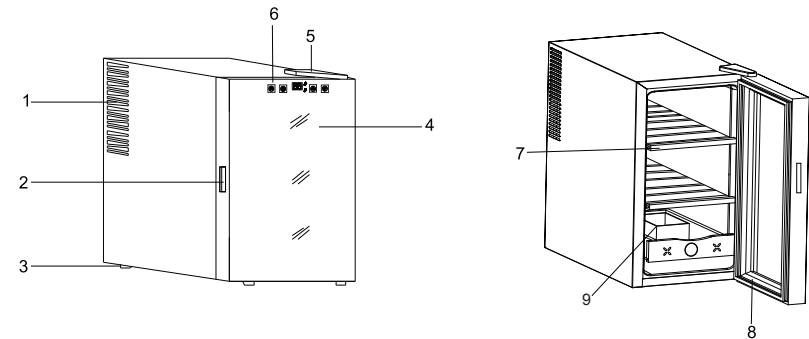
I. GENERAL SAFETY PRECAUTIONS

- After removing the electric cigar humidor from the package, make sure it is in good condition. In case of doubt, do not use it and contact an authorized service center.
- Plastic bags, nails, etc. Should be kept out of the reach the operation manual carefully and check that the rating data on the rating nameplate corresponds to your power supply.
- This electric cigar humidor can only be used in the use of which it was designed. The manufacturer will not respond for any damage due to improper use or repairs made by unqualified personnel.
- Before cleaning the cooler, make sure it is unplugged. Never clean the unit with an acid preparation, medical, dilution, gasoline, oil or any other kind of chemical substance that could damage the electric cigar humidor.
- Repair should only be made by authorized service centers.
- This appliance is not intended for use by persons (including children) with reduced physical, sensory or mental capabilities, or lack of experience and knowledge, unless they have been given supervision or instruction concerning use of the appliances by a person responsible for their safety. Children should be supervised to ensure that they do not play with the appliance.
- Check the power cord and plug regularly for any damage. If the cord or the plug is damaged, it must be replaced by the manufacturer or qualified person in order to avoid an electrical hazard.
- **Caution**
 1. To reduce the risk of fire, when the fuse of the power board was broken, replace only with same type fuse by authorized service centers.
 2. Free standing installation only
 3. Do not use extension cords.

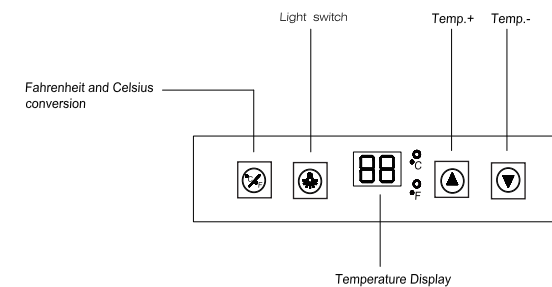
II. TECHNICAL DATA

Model	CHB-25-AZ-HM	CHB-35-AZ-HM
Capacity	25L	35L
Power/ Amps	70W/1.2A	70W/1.2A
Voltage	115V	115V
Frequency	60Hz	60Hz
The Refrigeration Temperature	12~22 °C(54°F~72°F)	12~22 °C(54°F~72°F)
Dimensions (width, depth and height)	260X495X475(mm)	260X495X650(mm)
Weight	10kg	12.5kg

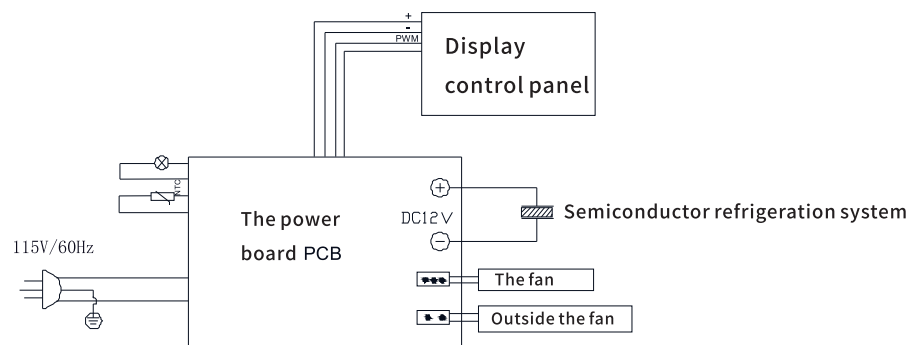
III. STRUCTURE DIAGRAM



- 1.Cooling hole 2.Handle 3.Adustable feet 4.Glass door 5.Chain cover
 6.Control panel 7.Adustable shelf 8.Door seal 9.Water tank



IV. ELECTRIC PRINCIPLE DIAGRAM



(Because the company's products are constantly improving the design and specifications, if there is any change without notice)

V. DIRECTIONS FOR USE

- Remove the box from the packing case, clean it up, and power it on.
- When connected, the semiconductor electronic cigar cabinet will start to work. The loose cooling fan in the box also operates at the same time.
- Temperature adjustment: Press the temperature setting button UP (+) or DOWN (-) by hand to change the temperature number to the temperature you need. Every time you press the setting button, the digital tube will change once (except for the first press). The display screen will flash.
- Lighting: press "LED" key to control the lighting LED light on or off, according to the actual needs of the user to choose whether to turn on or off the LED light.
- Temperature mode conversion: press the "C/F" key by hand, and the "C" or "F" light will light up, indicating the temperature mode in which the temperature is displayed. The default startup temperature is Centigrade.
- Note: When the temperature sensor is short-circuited or the ambient temperature is high (greater than 45°C), it will display "HH"; when the temperature sensor is open or the ambient temperature is low (less than minus 9°C), it will display "LL". At this time, the buzzer emits a "Bi.Bi" sound. If the user finds this phenomenon, if it is not caused by the ambient temperature, the product should be sent to the nearest repair center for repair.

VI . PARTICULAR PRECAUTIONS

- When placing the cigar cabinet, the box should leave a certain distance with the surrounding objects: the left and right sides of the interval > 5cm, back spacing >10 cm.
- Adjust the box feet below the box so that the box is in a horizontal state.
- The box body shall not be exposed to direct sunlight or too close to the heat source.
- Heavy objects should not be placed on the top of the box.

VII. MAINTENANCE

- Please unplug the power plug before cleaning the box.
- Remove the cigar and shelf and clean the case with soda water, then water.
- Do not use soap box cleaner to clean the tank.

VIII. TROUBLESHOOTING

Phenomenon	Fault cause	Solution
No refrigeration	<ul style="list-style-type: none"> ● The power cable is loose. ● The voltage is too low. ● Insurance tube broken. ● Box too close to heat source. 	<ul style="list-style-type: none"> ● Plug in the power cord. ● Please maintain normal working voltage. ● Replace the fuse of the same specification. ● Keep the box away from heat source and avoid direct sunlight;
Poor refrigeration effect	<ul style="list-style-type: none"> ● Poor circulation of air; ● The fan does not run; ● The door is not properly closed or opened; ● Doors are too frequent; 	<ul style="list-style-type: none"> ● Put the box in a ventilated place, the things in the box to avoid blocking the air; ● Check whether the fan terminal is loose or replace the fan. ● Keep the door closed and don't open and close it too often
The refrigerator smells	!Whether there is spoiled food	!Discard spoiled items and clean the container
The box lights flashed	Set the temperature higher than the box center temperature, circuit board	Belong to normal phenomenon
Loose cooling aluminum freezes	The humidity in the cabinet is too high or the setting temperature is too low/lowdefrosting function started	Unplug the power