

Car Refrigerator With Ice Maker

Instruction Manual

SKU: CFIM-30D



Congratulations

Dear Customer:

Welcome to the Euhomy family. Thank you for purchasing one of our products.

Our goal is to provide you with superior service. If there is anything missing from or wrong with your order, or if you have any questions about using our ice maker, PLEASE contact us.

Email: support@euhomy.com

Facebook: [@Euhomy.Official](https://www.facebook.com/Euhomy.Official)

The Euhomy team is available 24/7 to address your questions, comments, and concerns. Your satisfaction is our ultimate goal. We want to make everything right so you'll share your positive experience with other shoppers on Amazon.

If you experience any problems, please send an email to support@euhomy.com.

Our mission:

- * To be the most trusted appliance brand.
- * To create practical, compact appliances that better your life.

Be sure to register at
www.euhomy.com/register
for updates, warranty, and other relevant information.

Contents

Introduction	02
Components	03
Safety Precautions	04
Transportation and Placement	05
Electrical Connections	06
Usage	07-10
Cleaning and Maintenance	11-15
APP Connection	16-20
Technical Parameters	21
Standard Packing List	21
Safety Notice	21
Applications	22
Disposal and Waste Management	23

Before use: Please read the following instructions carefully.
Improper use may cause personal injury or damage to the appliance.

I Introduction

Features

■ Dual Mode (Refrigerator and Ice Making)

The machine features a branded DC compressor and a dual-mode design, providing powerful refrigeration capabilities and rapid ice making functionality. It offers a wide range of cooling temperature settings and is equipped with interior lighting in both modes, catering to various food storage needs and convenient access.

■ Reversible Opening Direction

The unique structure and design allow for the switching of the opening direction in both left and right directions, and even the option to completely detach the lid. This allows for convenient access and adapts to the machine's placement. The ice-making compartment is designed with a visible window.

■ Energy-saving and Environmentally Friendly

Equipped with an efficient compressor with variable frequency design and high-quality insulation layer for enhanced energy efficiency. It uses environmentally friendly R134a refrigerant and cyclopentane foaming agent.

■ Wide Range of Applications

Wide Climate Range: Suitable for use in SN, N, ST, and T climate environments.

Wide Voltage Range: Can be powered by batteries, DC 12V/24V or AC 110V/240V power supply.

■ Easy Transportation

The unique wheel design ensures effortless transportation, while the dual-sided handles make it easy to carry.

■ Versatile Usage Scenarios

This appliance is suitable for household and similar purposes, including:

Camping, recreational vehicles, and leisure boats.

Shops, offices, or other workspaces with kitchen areas.

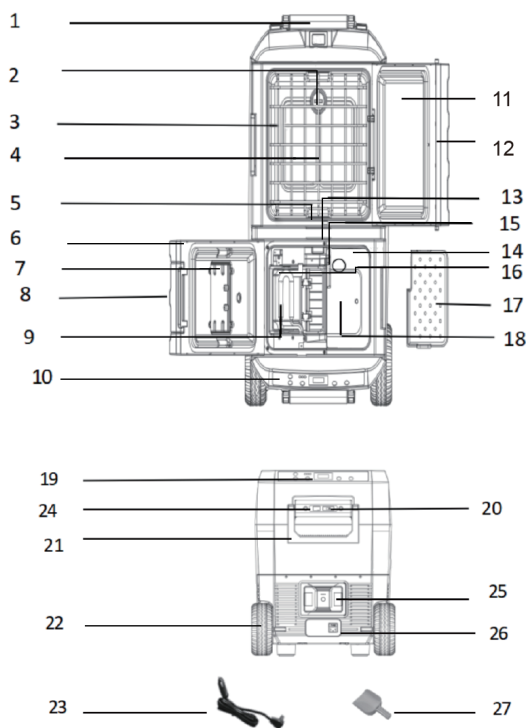
Farms, hotels, motels, and residential environments.

Family guesthouses.

With its streamlined structure, it occupies minimal space and can be placed and used in kitchens, bedrooms, RVs, yachts, and other settings. It truly embodies mobility, catering to your individualized needs

Components

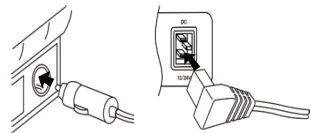
All illustrations in this manual are for illustrative purposes only.
Certain features and devices may not be identical to your refrigerator model.
Please refer to the actual product for specific structure and configuration details.



1. Retractable Handle
2. Water Outfall
3. Basket
4. Refrigerator Zone
5. Refrigerator LED Light
6. Ice Storage Bin Door
7. Ice Storage Bin Visible Window
8. Ice Storage Bin Door Lock
9. Ice-making Evaporator
10. Control Panel
11. Refrigerator Door
12. Refrigerator Door Lock
13. Ice Storage Bin LED Light
14. Storage Water Tank
15. Ice Filling Sensor
16. Water Inlet
17. Ice Basket
18. Water Outfall
19. Control Panel
20. USB Charging
21. Handle
22. Wheel
23. DC Power Cord
24. Emergency Switch
25. Battery Holder
26. DC Input Port
27. Ice Scoop

Safety Precautions

- Prohibit children from operating the appliance or playing with it to prevent accidents.
- Do not climb, sit, stand, or lean on the refrigerator door (lid) to avoid personal injury or damage to the refrigerator.
- Avoid crushing, folding, twisting, or damaging the power cord.
- When repairing or cleaning the refrigerator, do not operate it while it is still connected to the power supply. Always unplug the power cord. When unplugging, do not pull the power cord directly to prevent breakage.
- When using the appliance for camping, avoid exposing it to rain.
- ⚠ **Danger:** Do not store or use flammable substances near the refrigerator to prevent explosions and fires.
- ⚠ **Danger:** Do not place the refrigerator in damp areas or areas prone to water splashes.
Warning: Do not place or use microwave ovens, electric frying pans, voltage stabilizers, or other electrical appliances on top of the refrigerator. Do not place heavy objects or containers with liquid on top of the refrigerator to prevent injuries from falling objects or electric shock and fire caused by liquid spillage.
Warning: Ensure that the ventilation holes on the exterior or interior structure of the appliance are not blocked.
Warning: Do not accelerate the defrosting process using mechanical devices or other methods unless recommended by the manufacturer.



I Transportation and Placement

■ Transportation

⚠ It is strictly prohibited to transport the refrigerator in a horizontal or inverted position.

■ Placement

◇ The refrigerator must be placed on a stable surface to ensure user safety.

◇ The refrigerator should be placed in a dry and well-ventilated area with free airflow.

To avoid overheating, affecting the performance of the refrigerator, and preventing potential hazards, maintain a space of at least 20cm around the refrigerator and leave enough space above for opening the door (lid).

Electrical Connections

The refrigerator can be powered by batteries, DC power source or AC power source.

■ Battery Power Supply

◇ Insert the battery into the battery compartment to start the operation. If a DC power source is available, the refrigerator will prioritize using the DC power supply and disconnect the battery power.

■ DC Power Supply

- Insert the DC power cord with the "B" end into the corresponding DC socket of the refrigerator.
- Insert the cigarette lighter plug into the DC 12V or 24V cigarette lighter socket.

■ AC Power Supply

- Insert the DC power cord with the "B" end into the corresponding DC socket of the refrigerator.
- Insert the cigarette lighter plug into the AC power cord.
- Plug in home outlet.

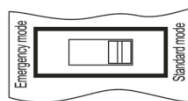
I Usage

Preparations before Use

- Remove all packaging components, including the foam padding at the bottom and any foam padding and tape used to secure internal accessories (if applicable).
- Check the included accessories and documents.
- Refer to the relevant content in the Transportation and Placement section to place the refrigerator in an appropriate location.
- Follow the cleaning instructions to clean the interior and exterior of the refrigerator.
- Before connecting the power, the refrigerator should be left standing for at least 30 minutes.

Start to use

- Check the position of the emergency switch located next to the power input socket and ensure it is in the Standard Mode position.
- Follow the instructions in the Electrical Connections section to plug in the power cord and turn on the power.
- Refer to the instructions in the Operation Panel and Function Settings section to configure and power on the refrigerator.



Usage

Operation Panel and Function Instructions

■ Standby Mode

- After connecting the power, all indicator lights and the digital display will briefly light up and then turn off, and the buzzer will sound once, indicating that the machine is in standby mode.

■ Power On

- In standby mode, press the refrigerator power button, and the LED screen will light up, displaying the current storage compartment temperature.

- In standby mode, press the ice maker power button, and the ice maker indicator light will turn on, entering the cooling mode.

■ Power Off

- In power-on mode, press the refrigerator power button, and the LED screen will turn off.

- In power-on mode, press the ice maker power button, and the ice maker indicator light will turn off.

■ Storage Compartment Temperature Setting

- When the refrigerator is in the power-on state, Then press the + and - buttons to set the temperature.

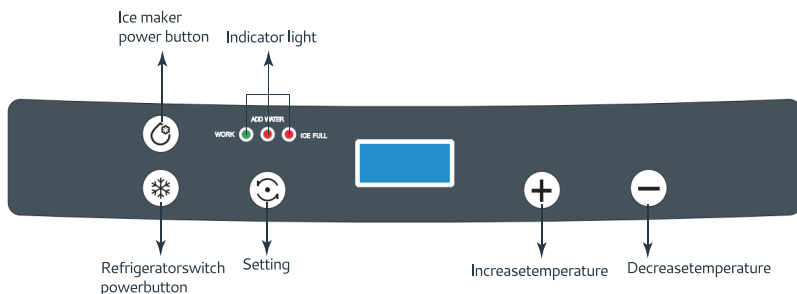
- The temperature range for the storage compartment is -4°F to 50°F (-20°C to 10°C).

■ Temperature Unit Setting

- Press the Settings button. When the temperature unit characters on the display screen are flashing, you can use the + and - buttons to set the temperature unit to Celsius or Fahrenheit.

■ Voltage Setting and Low Voltage Protection Function

- Press the Settings button. When the LO, NI, or HI characters on the display screen are flashing, you can use the + and - buttons to set the voltage level.



Usage

– Voltage Settings:

The following table shows the set values for different voltage modes:

Nominal Supply Voltage	Compressor Status	Low Mode (L0)	Medium Mode (N1)	High Mode (H1)
DC 12V	Off	8.5±0.3V	11.4±0.3V	11.8±0.3V
	Restart	10.0±0.3V	12.2±0.3V	12.6±0.3V
DC 24V	Off	21.5±0.3V	24.1±0.3V	24.6±0.3V
	Restart	23.0±0.3V	25.3±0.3V	26.2±0.3V

– Low Voltage Protection:

When the power supply voltage for the refrigerator's compressor is lower than the specified shutdown voltage, an E1 error will be displayed, and the compressor will stop running.

When the power supply voltage is higher than the specified restart voltage, the compressor will restart according to the set requirements.

– Please set the appropriate voltage mode based on the provided guidelines.

■ Mode Selection

- Press the "Settings" button, and when the screen displays FAST/ECO flashing, use the +/- adjustment keys to select the mode. FAST mode: Quick freeze mode. ECO mode: Energy-saving mode.

■ Indicator Light Notifications:

- When the red ice full indicator light is on, it indicates that the ice basket is full. When the water refill indicator light is on, it indicates that manual water refilling is required for the water reservoir in the ice maker.

■ Rinse Mode

- In standby mode, long-press the ice maker button for 3 seconds, and the working indicator light, water-adding indicator light, and ice full indicator light will light up simultaneously, entering the rinse mode.

After the rinse process is complete, it will automatically return to standby mode.

■ Internal Waterway Rinse

- Inject a solution of water and vinegar in a 1:2 ratio into the water tank.
- Activate the rinse mode.
- After the rinse mode is complete, follow the drainage instructions to drain the solution.
- Repeat the process of adding water, rinsing, and draining multiple times until clean water flows out during the draining.

■ Compressor Start-up Failure Reminder and Auto Recovery:

- If the display shows E2–E5, it indicates that there is a start-up obstacle for the compressor.
- The compressor will make another start-up attempt after 60 seconds, and it will continue attempting until successful.
- If the compressor fails to start multiple times continuously, refer to the troubleshooting section for further instructions.

■ Power Failure Memory Function:

- If there is a sudden power outage and the power is restored, the refrigerator will automatically resume its previous state, including all function settings.

■ Emergency Cooling Mode:

- When the emergency switch located near the power input socket is set to the emergency mode position, the emergency cooling mode is activated.

Usage

- In this mode, temperature control, low voltage protection, and other settings for the refrigerator compartment will be disabled, and the compressor will continue running.
- Do not use the emergency mode during normal use; the emergency mode is only used when
- there are malfunctions in some control panel buttons.
The refrigerator comes with a USB interface, which can be used to charge mobile phones and some small electronic devices. The USB-rated output is 5V, 2A.



Useful Tips

- When both the refrigerator and ice maker are turned on simultaneously, the ice-making mode takes priority, and the refrigerator operates in insulation mode. If the ice maker encounters faults such as being full or lacking water, it will automatically switch to cooling mode for the refrigerator.
- The size of the ice cubes produced is influenced by the ambient temperature and water temperature. In colder environments or with lower water temperatures, larger ice cubes will be produced.
- Avoid using distilled water or purified water as it may cause false reports of water shortage. It is recommended to use mineral water or add a small amount of edible salt to distilled or purified water.
- When the temperature inside the refrigerator compartment is very low, opening the ice maker may result in the first 3–4 rounds of ice production being incomplete or having small ice cubes due to refrigerant not flowing back to the ice maker's ice-making system. This is a normal phenomenon.
- The low voltage protection feature is designed to protect the refrigerator from damage or reduced lifespan due to excessive discharge when powered by an external battery. Choose the appropriate voltage mode based on the nature of the power source.
- If the refrigerator is powered by a car starting battery, it is recommended to select the HI mode to ensure the car battery voltage remains at a higher level. If using a self-supplied battery for power, the machine will automatically operate in the LO mode. In this case, the voltage mode setting is invalid.
 - When powered by an adapter, you can select the LO mode.
- The emergency cooling mode is designed for temporary use when the control panel malfunctions (e.g., button operation failure) but refrigeration is still required in the storage compartment. When using this mode, please note:
 - Temperature control of the storage compartment is not available, so it is not suitable for long-term food storage as excessively low temperatures can freeze some foods.
 - The cooling speed will be slower.
 - Only the refrigerator function will be operational in emergency mode.
- To avoid food contamination, please follow these instructions:
 - Prolonged door opening will significantly increase the temperature inside the refrigerator compartment.
 - Raw meat and fish should be stored in appropriate containers before placing them in the refrigerator.
 - Regularly clean the surfaces that come into contact with food and the accessible drainage system.
 - If the refrigerator will be empty for an extended period, it is advisable to turn it off, defrost, clean, dry it, and keep the door open to prevent the growth of mold inside the refrigerator.

Cleaning and Maintenance

Defrosting

Excessive ice or frost accumulated on the inner walls of the storage compartment has a detrimental effect on the cooling efficiency of the refrigerator, leading to increased power consumption. When the frost layer on the inner walls of the storage compartment is thick, it is necessary to defrost it. The most suitable time for defrosting is usually when the storage compartment is empty or nearly empty.

- Before defrosting, it is essential to unplug the refrigerator from the power outlet.
- Open the door (lid) and remove the stored items or storage baskets, allowing the storage compartment to naturally warm up and melt the frost layer. Additionally, you can also place a container filled with hot water inside the storage compartment to accelerate the melting of the frost layer.
- After defrosting, thoroughly clean the storage compartment and wipe off any remaining water with a soft cloth.
- Avoid using steel brushes, metal tools, or any sharp objects to remove the frost layer, as it may damage the inner walls of the storage compartment and cause harm to the internal evaporator.

Cleaning

- Precautions for cleaning the interior and exterior of the refrigerator:
 - Before cleaning, make sure to unplug the power plug, and during the cleaning process, ensure that water does not enter the electrified parts.
 - Do not use cleaning agents that contain abrasives, acidic substances, chemical solvents (such as alcohol), or polishing agents.
 - The residual water from cleaning can be drained outside the appliance by removing the drain plug, and after draining, reinsert the plug.

Energy-saving Tips

- Place the refrigerator in a dry and well-ventilated area, ensuring that it is not positioned near a heat source or exposed to direct sunlight.
- Hot food should be cooled to room temperature before placing it in the refrigerator.
- Minimize the duration of opening the refrigerator door (lid) as much as possible.
- Regularly clean the ventilation grille.

Cleaning and Maintenance

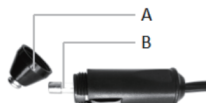
■ Fuse Replacement

The refrigerator is equipped with fuses at both the DC power cord cigarette lighter socket and the input socket. Before replacing a fuse, unplug the plug and disconnect the power.

– Steps to replace the fuse at the DC power cord cigarette lighter socket:

- Unscrew the top cigarette lighter cap A.
- Remove the damaged fuse and replace it with a fuse of the same specifications B.
- Screw on the cigarette lighter cap.
- ◇ The fuse specifications are AC250V/15A.

Note: The rated current of the fuse must strictly adhere to the refrigerator's design specifications.



■ During a power outage:

- Reduce the frequency of opening the refrigerator door to avoid introducing new food items (to prevent rapid temperature increase inside the compartment).

■ Shutting down and discontinuing use:

- If you need to shut down the refrigerator, simply unplug the power plug.
- If you decide to temporarily discontinue using the refrigerator, follow the steps below: first, turn off the unit, then clean it, and finally, leave the door (lid) slightly ajar to prevent unpleasant odors. Do not store any food items inside the storage compartment during this period.

Analysis and Troubleshooting of Non-Fault Phenomena

■ Formation of fog-like condensation on the exterior surface of the refrigerator:

- This phenomenon occurs when the air humidity is high. Simply wipe it dry.

■ The refrigerator produces a hissing sound, slight popping noises, or humming vibrations:

These are normal sounds produced during the operation of the appliance.

■ Extended operation time of the compressor:

- In the summer, due to higher ambient temperatures, the compressor may start more frequently and run for longer durations. This is a normal occurrence.

Analysis and Troubleshooting of Special Phenomena

Phenomenon	Possible causes	Processing method
Refrigerator does not work	Unplugged power supply; power failure; blown fuse, control system failure;	Plugging in the power connection; checking for power outages; replacing fuses; needing professionals to check and repair the control system;
Display is normal, fan, compressor work, but refrigerator does not cool	Refrigerant leaks;	The need for professionals to inspect and repair;
Display is normal, the fan and compressor work, the temperature inside the box does not reach the set temperature	Excessive food in the storage room; poor heat dissipation or high ambient temperature; minor refrigerant leakage;	Excessive food requires longer cooling time; please ensure smooth ventilation grilles and their surrounding ventilation according to the instructions for placement; professional personnel are required to inspect and repair;
Temperature control failure	Improper setting of the emergency witch mode; damage to the temperature sensor or control board;	Checking the position of the emergenc switch and pulling it to the standard mode; a professional is needed to check and repair it;
LED screen display E2	Temperature sensor lead off, internal open circuit or short circuit	The need for a professional to check and replace the temperature sensor;
The fault icon is displayed and E1 is shown in the compressor supply voltage area when the cigarette lighter is powered in the vehicle	Low access voltage;	Start the vehicle with the ignition on and then turn the refrigerator on;
When battery power is supplied, the icon shows E1	Improper setting of voltage gear; damage to the built-in control board;	Please set up according to the description of the warm tips; professionals are needed to check and repair the replacement control board;
Display E2	Damage to fans and compressor controllers if they are not restored for a long time;	The need for professionals to inspect and repair;
Display E3	Frequent switching on and off (power on and off) causing difficulties in starting the compressor; frequent opening of the low voltage protection function;	Check whether the power connection is good, and then turn on the machine after the pressure balance of the refrigeration system; please set the voltage gear according to the description of the warm tips, and ensure that when the compressor starts the voltage of the power supply is higher than the compressor shutdown voltage;
Display E4	Refrigeration system pressure imbalance resulting in failure to start; compressor controller failure;	Turn off the compressor for at least 5 minutes and then turn it on again; please set the voltage gear according to the description of the warm tips and make sure that the voltage of the power supply is higher than the compressor off voltage when the compressor starts; professional personnel are needed to check and repair it;

Analysis and Troubleshooting of Special Phenomena

Phenomenon	Possible causes	Processing method
Show E5	Compressor controller overheating protection; placing environment can not meet the refrigerator heat dissipation; ambient temperature is too high;	Automatic recovery after the controller temperature returns to room temperature; removal of ventilation grilles and obstacles affecting ventilation around them; place it into a suitable environment;
DIGITAL DISPLAY CODE E6	Environment temperature sensor malfunction.	Environment temperature sensor malfunction.(The ice maker function can be accessed by pressing the ice maker power button ON/OFF.)
DIGITAL DISPLAY CODE E7	Ice full temperature sensor malfunction.	Requires professional replacement of the temperature sensor.(The ice maker function can be accessed by pressing the ice maker power button ON/OFF.)
DIGITAL DISPLAY CODE E8	Refrigerator temperature sensor malfunction.	Requires professional replacement of the temperature sensor. (emergency mode can be turned on in case of temporary food storage needs.)
Display normal, LED lighting does not light up or closing light does not go out	Dislodged or damaged LED lighting and its connecting wires;	The need for professionals to inspect and repair;
Noisy fan	Excessive dust or local breakage in and around the fan blades; decline in fan performance;	Checking whether the fan and its surroundings are stuck with foreign objects, rubbing the wind blades and breaking the phenomenon; professionals are needed to replace the fan;
Noisy compressor	Improper transportation and handling resulting in displacement or damage to the internal mechanism of the compressor;	Repeatedly shake the refrigerator, and then stand still for at least 30 minutes after the power to observe. If it can not be solved need professional inspection and repair.
Other abnormal noise	Resonance	Ensure that the refrigerator is placed smoothly and that no other items around it resonate due to the influence of the refrigerator compressor when it is running, forming noise.

Analysis and exclusion of special phenomena in the ice making part

Phenomenon	Possible causes	Processing method
LED screen doesn't display, no beep when pressing the key	Power plug is not plugged in; power failure; electric control system is faulty;	Plugging in power outlets; checking for power outages; needing professionals to check and repair the electrical control system;
Water leakage	The drain plug is not tight; too much water is injected beyond the position of the ice box, the internal water circulation pipeline is poorly connected or broken;	Plug the plug; exclude excess water, need professionals to check and repair internal water circulation lines;
Water storage area with water, prompt to add water	Too little water; blockage of the circulating water port in the water storage area; injection of pure ordistilled water; failure of the internal water circulation and its detection system;	Add water according to the instructions for filling water; remove foreign objects from the water circulation port in the water storage area; add a little edible salt to pure or distilled water; professionals are needed to check and repair the internal water circulation and its detection system;
No ice or a small amount of ice in the ice storage area, indicating that the ice is full	Ice or foreign objects blocking the photoelectric sensor signal transmission; photoelectric sensor failure;	Removal of ice and foreign objects; professionals are needed to inspect and replace the photoelectric sensors;
Ice is difficult or not to dislodge	low ambient temperature; ice falling into the ice box resulting in too large ice when making ice again; failure of the refrigeration system and its control system;	Placed in a suitable environment; operated according to warm tips; requires professionals to inspect and repair;
Abnormal noise	Resonance; noise from internal motion, control devices;	When making ice, the operation of the internal electric parts will produce vibration, to ensure that no other items near the ice machine due to the impact of vibration, product resonance, the formation of noise; need professional inspection, maintenance.
Display icon is missing	LED screen failure	The need for a professional to inspect and replace the operating panel;

APP Connection



BLUETOOTH MODEL:

To download the "Euhomy" app, either scan the QR code with your smartphone or search for it on the App Store or Google Play.

PREPARATION BEFORE USE:

1. Turn on your car refrigerator.
2. Ensure that the Bluetooth function on your mobile phone is enabled ;
Otherwise, the device will not be automatically searched.
3. Download the "Euhomy" app from the App Store or Google Play™.
Please not to authorize the app to access network and location services.
4. If this is your first time using the app, click the "Sign up" button to register. Otherwise, click the "Log in" button.
5. For better Bluetooth connection, please reset the product before using it for the first time. To do this, turn off the switch of the refrigerator and simultaneously long-press Setting "🔄" on the control panel of the refrigerator for 3 seconds and wait to hear one beep.

Add Device

1. To add a device, from the Home Page, press "Add Device" or press " + " in the top right corner of the screen. (If you already have a device added to your account, the "Add Device" button will not appear.)

2. Connecting

■ Auto-connect: (Recommended method)

The app will automatically search for the device when Bluetooth is turned on, and you can add the corresponding product directly from the automatic search.

Step 1: Press "Add Device" or click the " + " button.

Step 2: When the device is found, click " Add". Make sure that the Bluetooth function is enabled during this process.

Step 3: Wait for the connection and click "NEXT".

Step 4: Once the device is added, you can use the app's menu to change the name and location of the device.

Step 5: Click "Done" when finished.

APP Connection

■ Manual connection: Select your model from the device menu.

Step 1: Press "Add Device" or click the "+" button.

Step 2: Select the corresponding product type and click the product diagram of the corresponding model.

Step 3: Turn off the product, and then press "Next",.

Step 4: Press and hold "🔄" Setting buttons on the control panel of the refrigerator for 3 seconds and wait for one beep.

Step 5: Reopen the car refrigerator.

Step 6: Click "Next." Your smartphone will automatically connect.

Step 7: Once the device is added, you can use the menu of the app to change the name of the device.

Step 8: Click "Done" when finished.

■ Follow the instructions step by step in the app interface, which provides detailed operation reminders;

NOTE: The Connection process may take up to 60 seconds.

*Once the device is added, you can use the app's menu to change the device's name.

*When you finished, press "Done".

NOTE: Make sure your mobile device is opening Bluetooth.

BLUETOOTH MODE:

Bluetooth function can be used in non-wifi environment.

NOTE:

After disconnecting, please wait for approximately 2-3 minutes before using the Bluetooth control directly.

Using the My App

ICE MAKER

■ Click the ice maker power button "ON/OFF(ICE)" to turn on the ice maker

■ When "MAKING ICE" appears in the top circle, it means the ice maker is running and in ice-making mode;

■ When "ICE FULL" appears in the circle, the ice basket is full, and the ice maker stops working.

■ When "WATERLESS" appears in the circle, the ice maker is water-deficient and needs to be refilled with water.

REFRIGERATOR:

■ Click the refrigerator power button "ON/OFF(COOL)" to turn on the refrigerator;

■ When "Current Temp" appears in the lower circle, the refrigerator is running and in cooling mode, displaying the current refrigerator temperature parameter.

■ At the bottom of the app, there are different functions to choose from:

I APP Connection

Temperature Range: -4 ℉ to 50 ℉ (-20 ℃ to 10 ℃)

Temperature Scale: ℉/℃

Refrigerator Mode: FAST/ECO

Battery Protect: H/M/L

When the refrigerator and ice maker are turned on simultaneously, the ice-making mode takes priority, and the refrigerator operates in insulation mode. If the ice maker encounters faults such as being full or lacking water, it will automatically switch to cooling mode for the refrigerator.

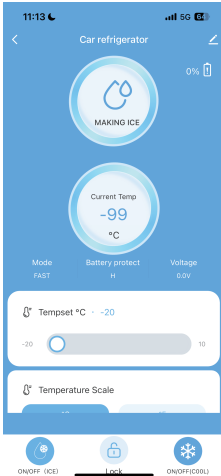
Child-Lock Function:

You can lock or unlock the refrigerator's control panel through the app's lock icon. Please note that the refrigerator's control panel has no built-in lock and unlock function. If you want to lock the refrigerator, please use the app to control it.

Reset:

For better Bluetooth connectivity, it is recommended to reset the product before first use. To do this, turn off the refrigerator's power switch and press and hold the "Settings" button on the refrigerator control panel for 3 seconds to reset the product.

APP Connection



Unbinding Instructions

A car refrigerator can only be connected to one mobile phone.

First method : You can disconnect the connection by following these steps:

Turn off the switch of the refrigerator.

Simultaneously long-press the "🔄" Setting buttons on the control panel of the refrigerator for 3 seconds until you hear one beep.

Second method : Removing connection with the app:

1. Open the app and go to the device page.
2. Click "✎" in the upper right corner
3. Then click "Remove Device" at the bottom.

Cautions

- *There might be a delay of approximately 1–3 minutes when operating the machine through the mobile phone, please be patient.
- *The language of the APP automatically switches according to the language of the mobile system.
- *You can lock or unlock the control panel on the refrigerator by using the app's lock icon. Please note that if you want to lock the refrigerator, it should be controlled through the app as the operation panel of the refrigerator does not have the locking and unlocking function.
- *In the absence of adapter power supply, the product will automatically jump L gear in battery mode. In this case, the low voltage protection on the app will not change. Other temperature, unit switching, energy saving, etc., devices and Bluetooth can be mapped to each other.

| APP Connection



TIPS AND SUGGESTIONS



CHAT WITH US

euhomy.com/chat



EMAIL US

support@euhomy.com

Technical Parameters

SKU	CFIM-30D
Input voltage	DC12V/24V, AC100-240V
Temp control range	-4°F to 50°F
Cryogen	R134a

Standard Packing List

- 1.Car Refrigerator with Ice Maker
- 2.DC cable
- 3.AC cable and adapter
- 4.Ice Scoop
- 5.Basket

Need to buy separately

- 1.Battery
- 2.Battery Charger

Safely Noice

- Ensure that the refrigerator is connected to the proper voltage at all times.
(Specs label shows the approved voltage for the car refrigerator).
- Do not pour any liquid directly into the car refrigerator.
- Never modify the refrigerator on your own. To do so may be hazardous to your health.
- Do not expose the refrigerator to rain or other sources of water.

I Applications



By keeping a battery on hand, you can ensure that the refrigerator maintains its set temperature in any situation.



When storing ice cream, please set the refrigerator to the lowest temperature and keep the power on constantly.



Prevent health problems from bottled water deterioration caused by high temperatures.



Keep fresh or frozen foods—even luxurious seafood—safe during long trips.



Your car refrigerator effectively preserves the freshness of tea leaves. You can enjoy fresh and delicious tea anytime during your road trip.



The ideal storage temperature for red wine is 50°F–64°F. The precise temperature control of your Euhomy car refrigerator guarantees the proper storage temperature.



Fruits will not keep in a hot car for more than 2 hours, even with the air conditioning running. But your car refrigerator can keep fruit fresh for a long time.



Did you know? The coating on some sunglasses will peel off at high temperatures! Your car refrigerator is the best place to store your sunglasses.



Cosmetics easily melt and go bad at high temperatures. Keep makeup and other beauty products fresh and safe in your car refrigerator.

I Disposal and Waste Management



To protect the environment, electronic appliances should not be disposed of together with regular household waste.

If you no longer wish to use this product and need to dispose of it, please follow the local regulations for the disposal of flammable devices and place it in designated recycling or collection areas. If you are unsure about the proper disposal methods, please consult your local government or retailer for recycling advice.

EÜHOMY

Live the *cool life*



Email: support@euhomy.com



Facebook: [@Euhomy.Official](https://www.facebook.com/Euhomy.Official)